

**SONNENSCHUTZ NACH MASS**  
**JALOUSIE - WELT .DE**  
**JALOUSIEN, PLISSEE, FENSTER, ROLLADEN, MARKISEN**



## Roller Blind Systems

RM 18 | RM 32 | RM 40 / 40+ | RM 45 / 45+ | RM 55





---

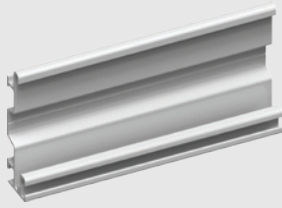
## Table of contents

---

Components of roller blind systems	2 - 3
The colours of accessories	5
RM 18 roller blind system	6 - 15
RM 32 roller blind system	16 - 31
RM 40/40+ roller blind system	32 - 53
RM 45/45+ roller blind system	54 - 73
RM 55 roller blind system	74 - 83
Bottom finishes	86 - 88
System specifications	90 - 92



# Roller System Components

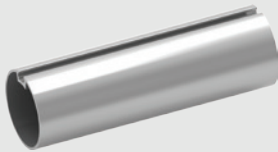


## Mounting Profile (optional feature)

designed to allow installation in places where standard installation brackets cannot be used.

Product specification

Material: aluminium



## Roller Tube

wear-resistant at high loads, increased torsional strength.

Product specification

Material: aluminium

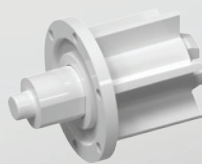


## Bracket and Bracket Cover

brackets made of PVC or zinc plated/powder coated steel. They enable quick and simple installation (top, face or side fix). The brackets are colour-coordinated with the colour of operating system.

Product specification

Material:  
bracket cover – PVC



## Plunger End

Enables quick and easy mount as well as disassembly of blinds, also those of above average size.

Product specification

Material: PVC



## Bottom Bar End Cap (oval or circular)

Aesthetically pleasing, matching end caps provide the perfect finish to the bottom rail assembly.

Product specification

Material: PVC



### Control End



Patented, universal side control operating unit, featuring fabric locking system (brake).

#### Product specification

Material:  
housing – PVC  
spring lock – stainless steel

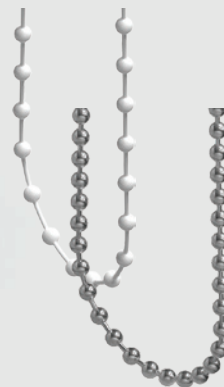


### Break-open chain connector, safety cleat

Break-open chain connector and safety cleat ensure that the blind is child safe (in compliance with PN-EN 13120:2014+A1 European Standard).

#### Product specification

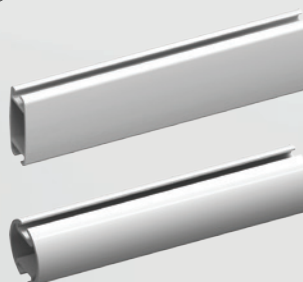
Material: PVC



### Ball Chain

PVC or metal (optional).

Chain pitch designed for smooth and silent operation.



### Bottom rail

Oval and round rails are made of aluminium. The design allows for concealed and secure location of the selected fabric.

A wide range of wooden bottom rails and flouces to be attached to the fabric for decorative or co-ordinating effect also on offer.

#### Product specification









Material: aluminium, wood (optional).








Wall thickness: 1,2 mm (oval), 1,25 mm (round)

RM 32 roller blind with mounting profile and bottom bar with fabric tucked inside.



## The colours of accessories

RM 18		
	colour	RAL symbol
	white	9003
	cream	1013
	light brown	8017
	grey	7040
	anthracite	7016
	black	9005
	walnut (print)	-
	golden oak (print)	-

RM 32 / RM 40/40+ / RM 45/45+ / RM 55 *		
	colour	RAL symbol
	white	9003
	cream	1013
	brown	8019
	silver anode	-
	grey	7035
	anthracite	7016
	black	9005
	RAL	any**

\* the colour of the system (RM 32 / RM 40/40+ / RM 45/45+ / RM 55) depends on the colour of the chosen roller blind  
 \*\* except pearly, metallic and fluorescent colours

RM 18





---

## RM 18

---

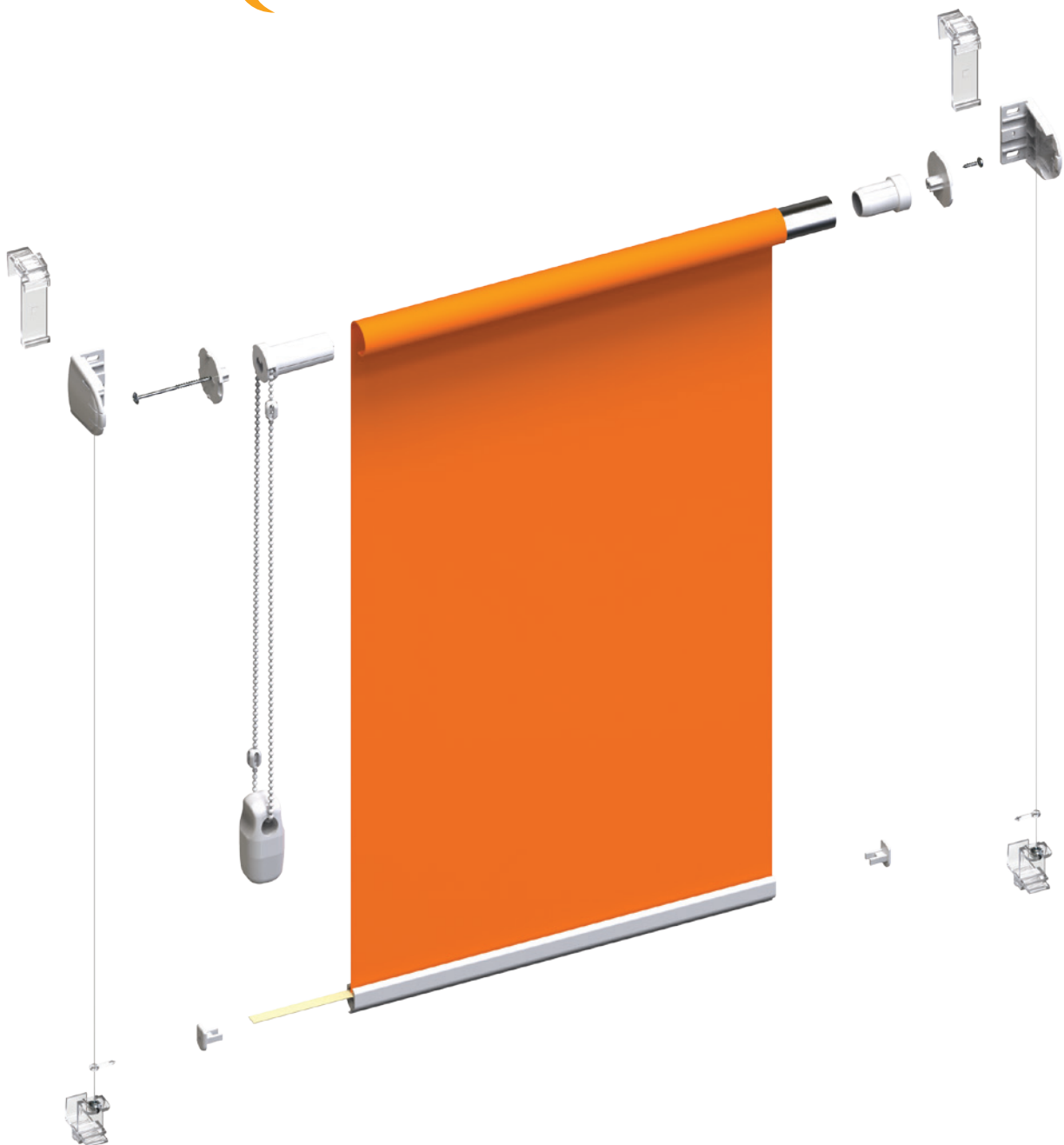
Dimensions	8 - 9
Fixing Brackets	10 - 11
Control	12
Guide wire system	14 - 15

# RM 18 – Roller Blind System dimensions

	max. width	max. height	max. total surface area
RM 18	1400 mm	2200 mm*	3,08 m <sup>2</sup>

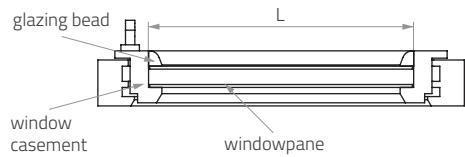
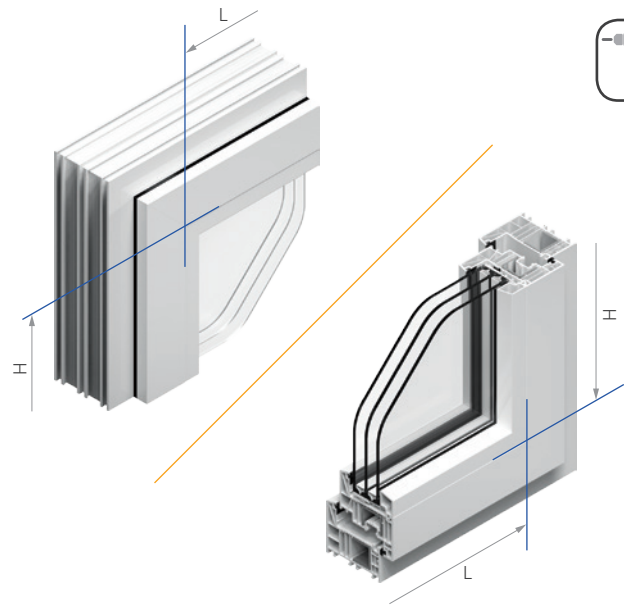
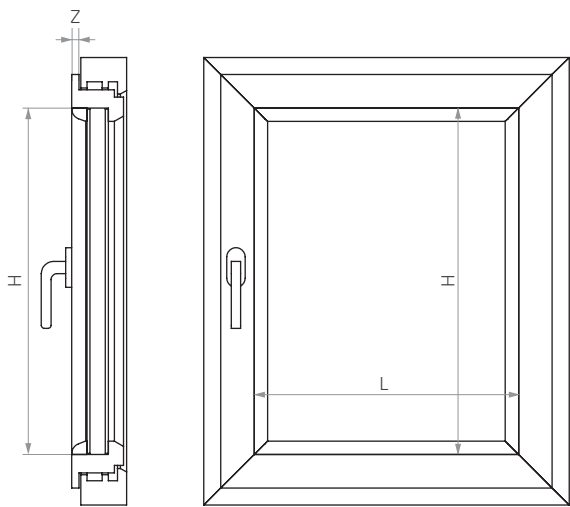


\* Max. height of the roller blind depends on thickness of the fabric used.



# RM 18 – Roller Blind System dimensions

## Mounting with screws



**Width L and height H** - the distance between the outer edges of the glazing bead.

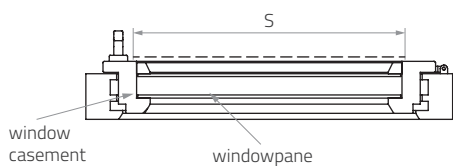
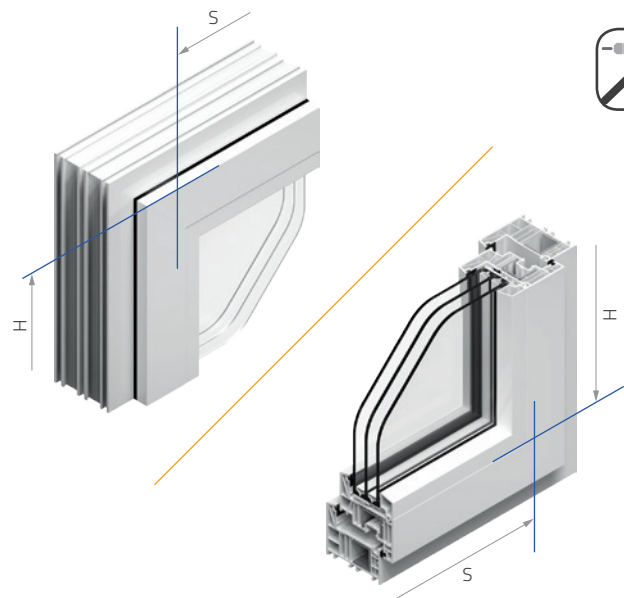
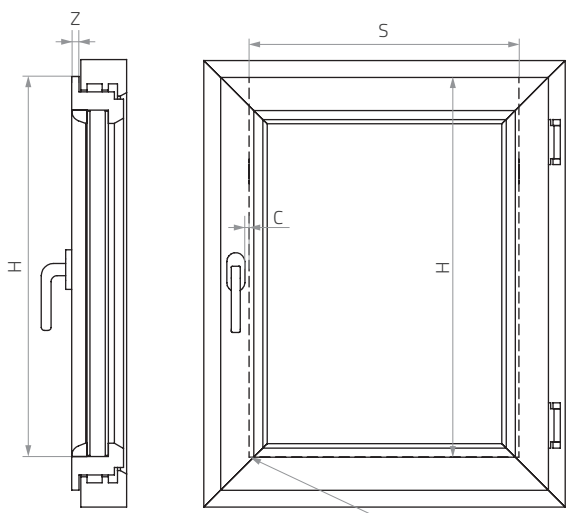


**Fabric width** is 4 mm narrower than width L.

**Overall width** is 22 mm wider than width L.

**Overall width** is 26 mm wider than fabric width.

## Mounting without screws



**Width S** - width of fabric.

**Height H** - the distance between the upper edge of the window casement and the point of junction between the glazing bead and window casement at the bottom (horizontal orientation).



**Measurement C** - the distance between fabric edge and window handle (should be no less than 10 mm).

**Measurement Z** - the range of installation possibilities of top and bottom brackets.

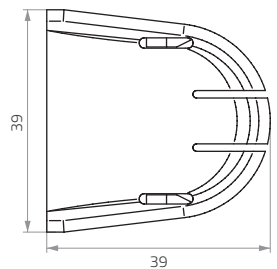
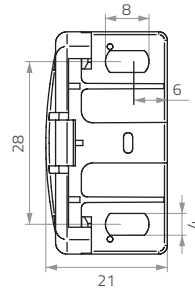
**Overall width** is 26 mm wider than fabric width.

# RM 18 – Roller Blind System – fixing components



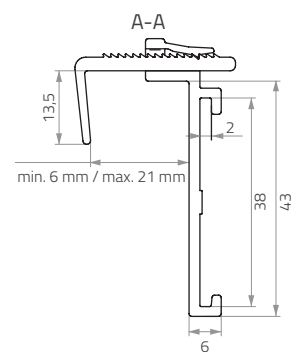
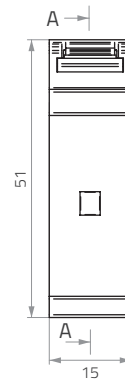
The blue colour of brackets is for reference only.

## Mounting with screws

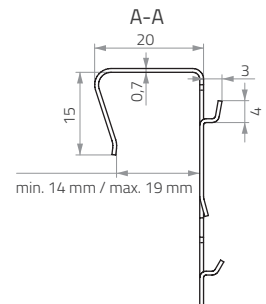
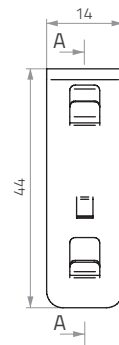


If screws are used when mounting, the roller blind can be fixed to the ceiling.

## Top bracket A (PVC)

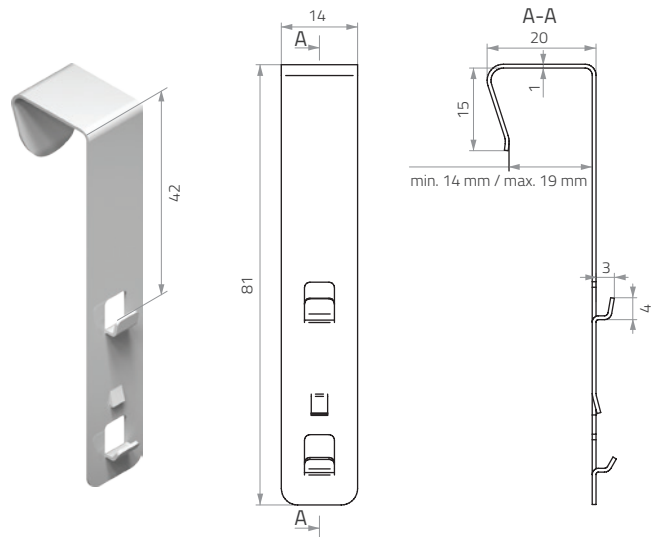


## Top bracket B (metal)

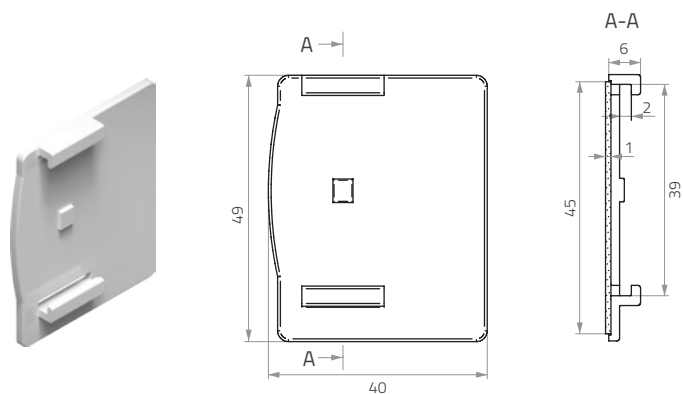


# RM 18 – Roller Blind System – fixing components

## Top bracket C (metal)



## Top bracket D (PVC)

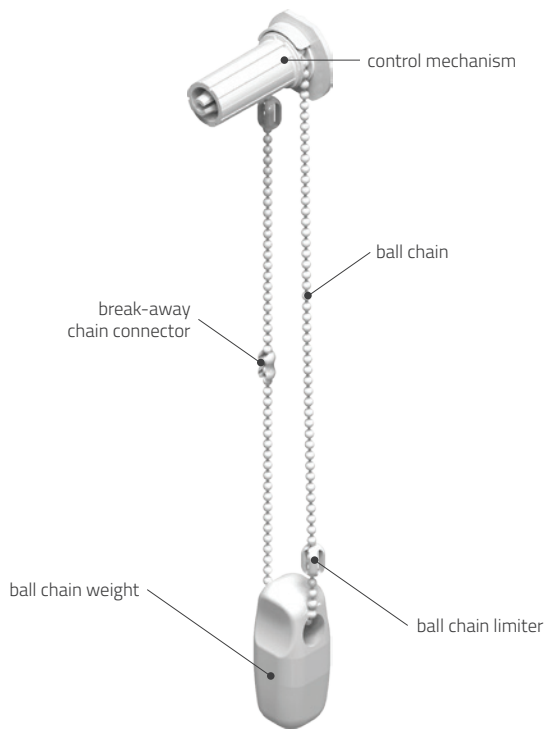


	Top bracket A	Top bracket B	Bottom bracket C	Bottom bracket D
Colour of mechanism	white	transparent	white	white
	light brown		light brown	light brown
	ivory		ivory	ivory
	silver		grey	silver
	anthracite		anthracite	black
	black		black	black
	walnut (print)		light brown	light brown
	golden oak (print)		RAL 8003	RAL 8003

the model of the window on this page:  System Brüggmann bluEvolution: 82 AD

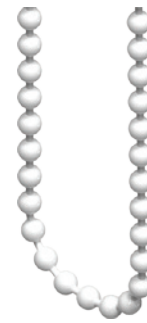
# RM 18 roller blind – operation

## Ball chain mechanism



## Types of ball chain

### PVC ball chain



ball diameter: 3,2 mm

break-away chain connector (PVC ball chain element) is fully compliant with PN-EN 13120:2014+A1 safety standard

### metal ball chain (optional feature)



ball diameter: 3,2 mm



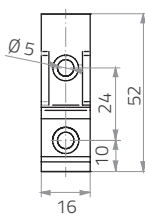
safety cleat (metal ball chain element) is fully compliant with PN-EN 13120:2014+A1 safety standard

Please note: no ball chain weight with metal ball chain



## Safety cleat

used in metal ball chain

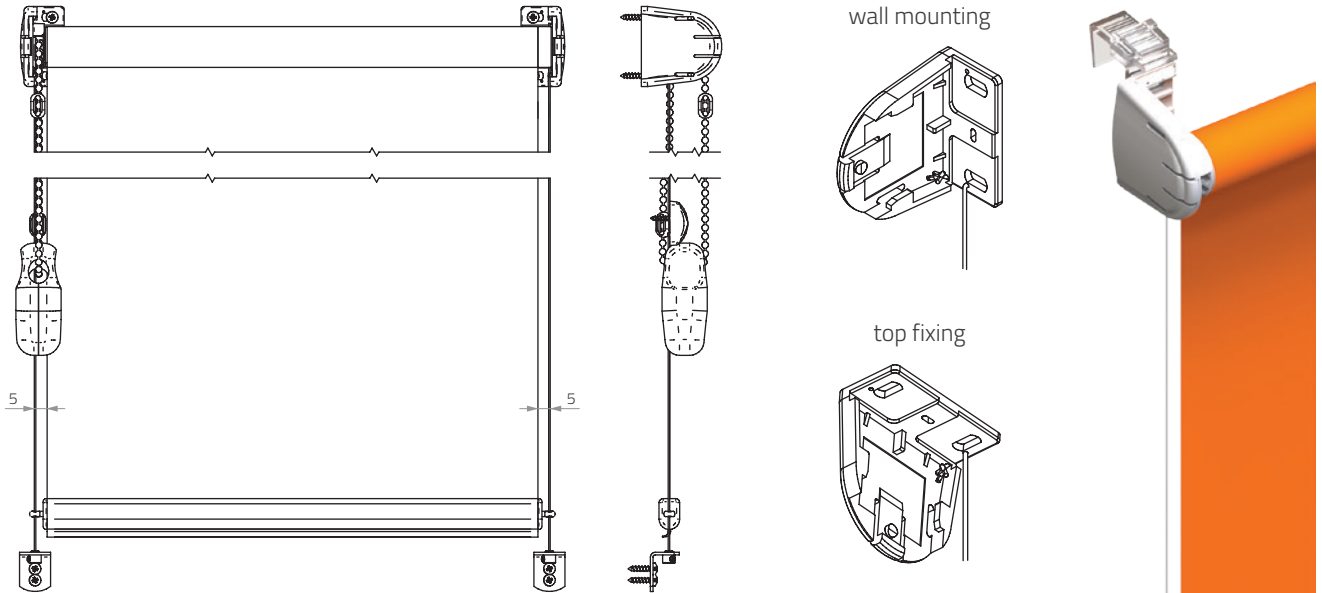


colours available: white / ivory / light brown / silver / anthracite / black / golden oak (print) / walnut (print)

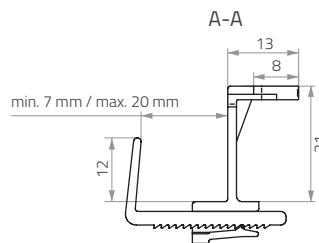
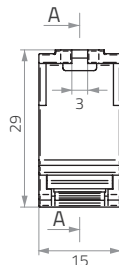
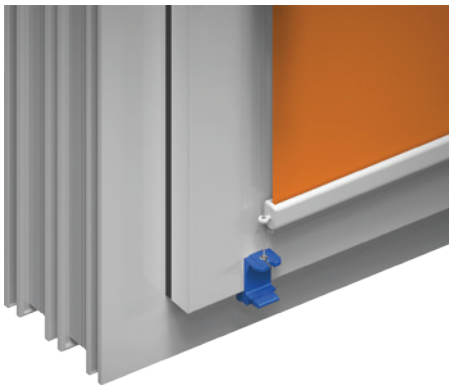


# RM 18 Guide Wire System

## Mounting the Guide Wire System



## Bottom bracket A (PVC)

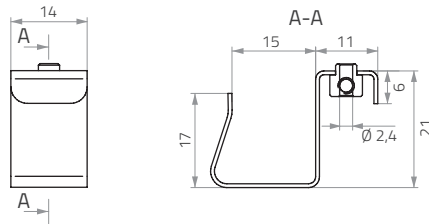
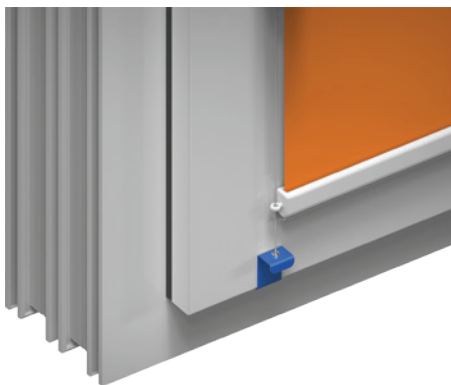


Blue colour of brackets is for reference only.

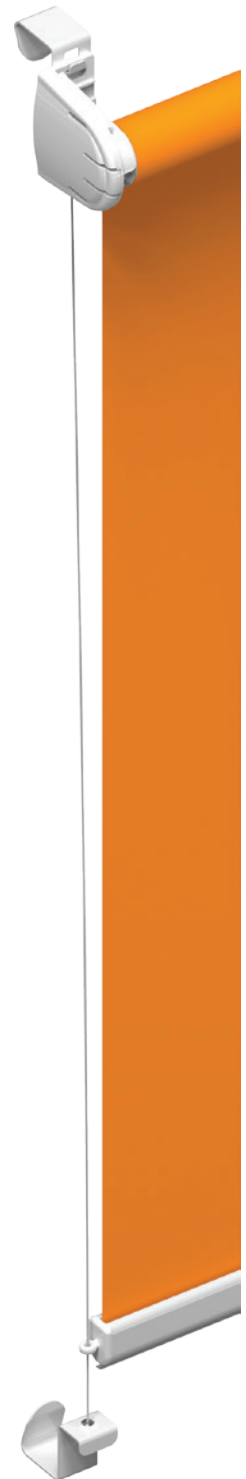
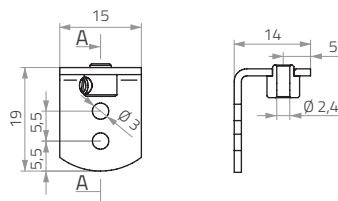
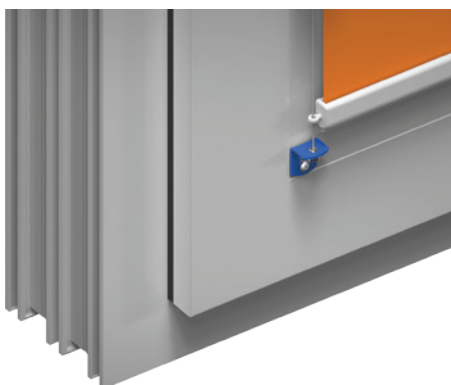


# RM 18 Guide Wire System

## Bottom bracket B (metal)



## Bottom bracket C (metal)



	bottom bracket A	bottom bracket B	bottom bracket C
Colour of mechanism	white		white
	light brown		brown
	ivory		brown
	silver		white
	anthracite		brown
	black		brown
	walnut (print)		brown
	golden oak (print)		brown
	transparent		

RM 32



---

## RM 32

---

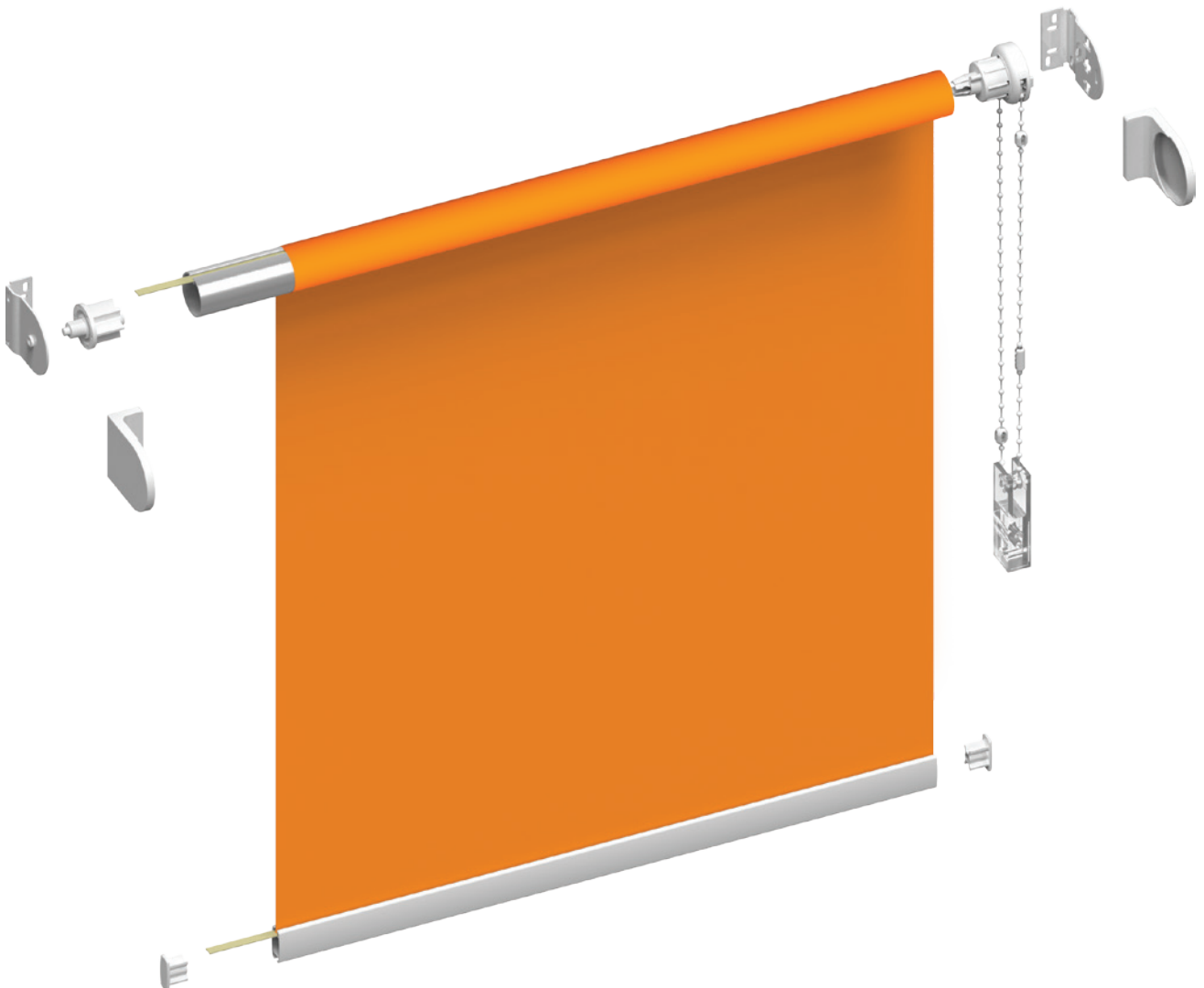
Dimensions	18 - 19
Fixing brackets	20 - 25
Cassettes	26
Cassette fixing brackets	27
Control	28 - 29
Motors and control	30 - 31
Guide wire system	32 - 33

## System RM 32 Roller Blind System – dimensions

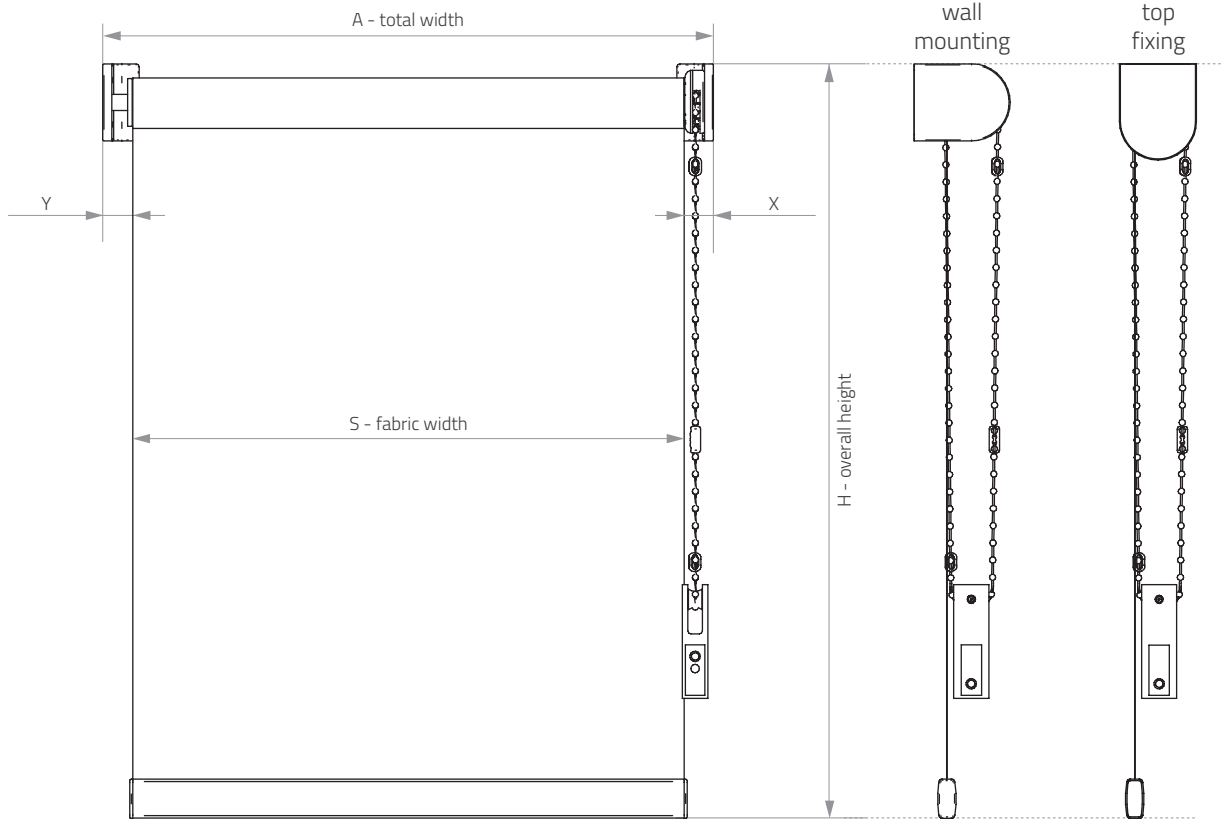
	max. width	max. height	max. total surface area
RM 32 PCV	2000 mm	3000 mm*	6 m <sup>2</sup>
RM 32	2200 mm	3000 mm*	6,6 m <sup>2</sup>



\* Max. height of the roller blind depends on thickness of the fabric used.



# System RM 32 Roller Blind System – dimensions



Depending on measurements taken, the client provides one width dimension only (A or S).

## The difference between overall width and fabric width

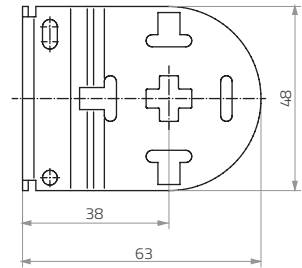
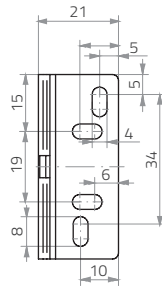
	RM 32 – manual	RM 32 – motorised
<b>TOTAL</b>	<b>35 mm</b>	<b>40 mm</b>
Control End <b>X</b>	21 mm	26 mm
Idle End <b>Y</b>	14 mm	14 mm

# RM 32 – fixing brackets

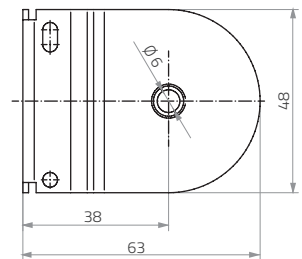
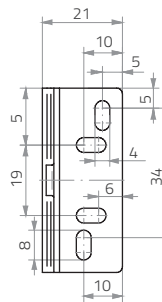
## Metal bracket



control end



idle end



colours available: white, cream, brown, grey, anthracite, black

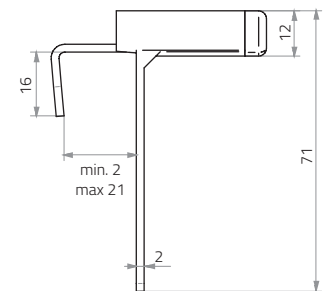
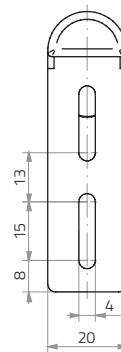
## Non-invasive bracket



control side



idle side



RM 32 PVC bracket	RM 32 metal bracket	RM 32 mounting profile	RM 32 open cassette	RM 32 closed cassette	RM 32 hybrid cassette
✓	✓				

colour available: white

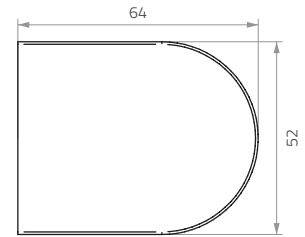
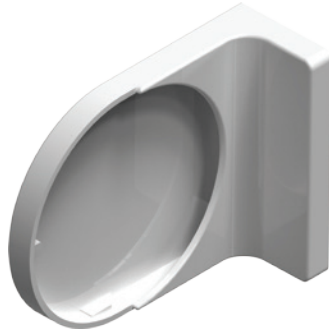
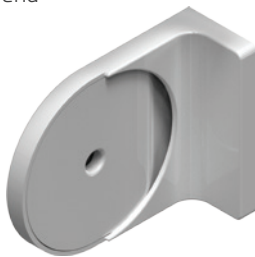
# RM 32 – fixing brackets

## Handle cover type 1

control end



idle end

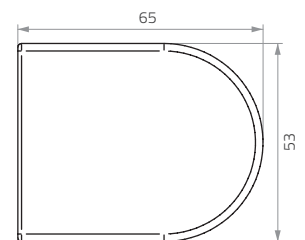
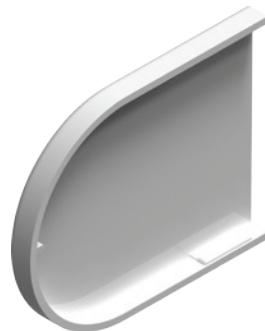


## Handle cover type 2

control end



idle end



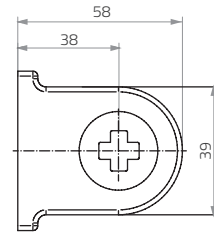
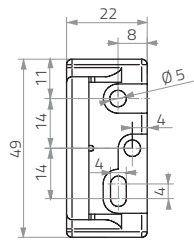
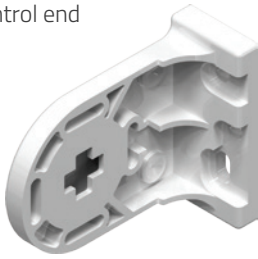
	PVC bracket	Metal bracket	Metal bracket + side guide	Extension bracket	PVC bracket + Non-invasive bracket	Metal bracket + Non-invasive bracket
Handle cover type 1	not available	✓		not available	not available	
Handle cover type 2	not available		✓	not available	not available	✓

# RM 32 – fixing brackets

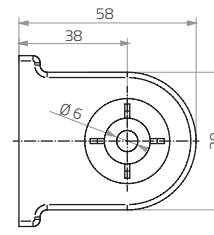
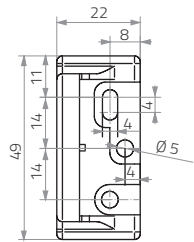
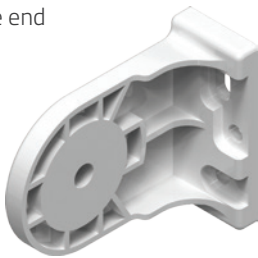
## PVC bracket



control end



idle end



colour available: white

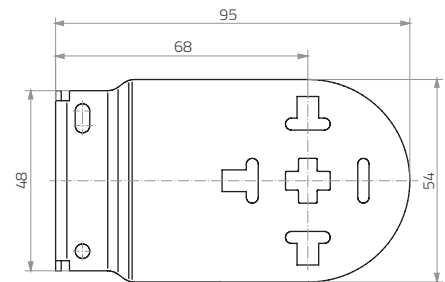
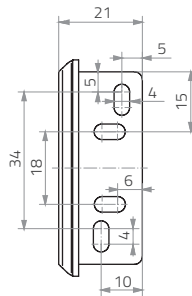
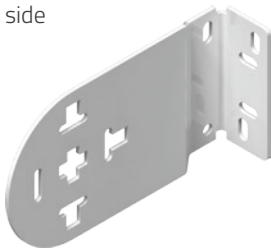
## OD 11 Extension bracket



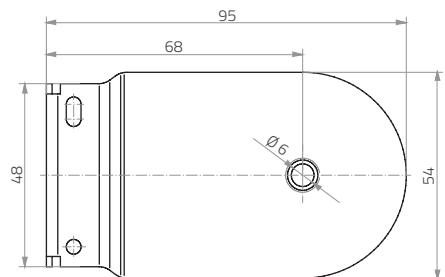
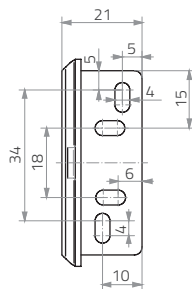
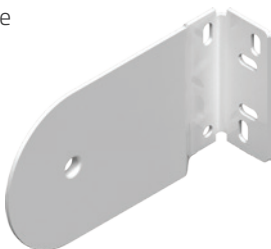
Please note: extension brackets do not come with covers.



control side



idle side



colour available: white





# RM 32 – fixing components

## OS 1 Mounting profile

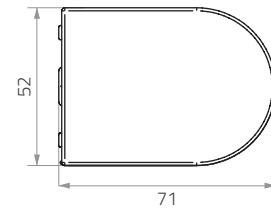
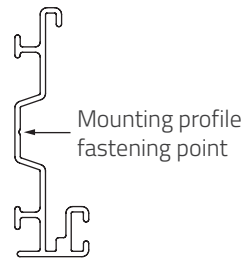
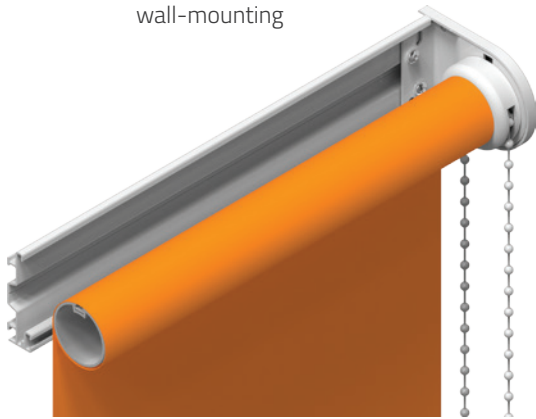


Please note: mounting plate is used with metal bracket only.

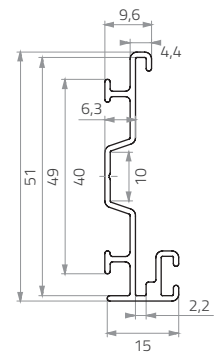
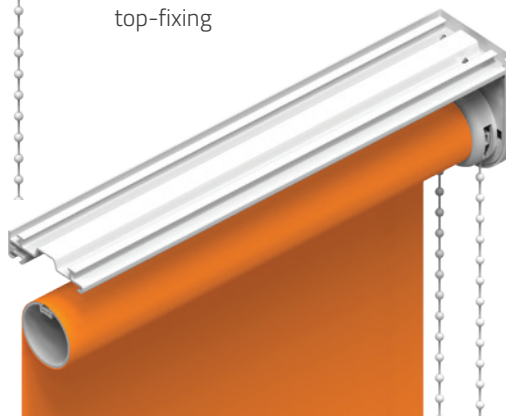
Three ways of mounting the roller blind:

mounting profile fixed with screws:

wall-mounting

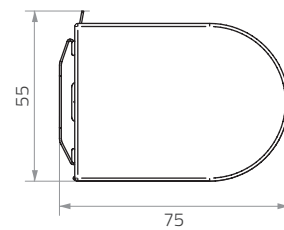
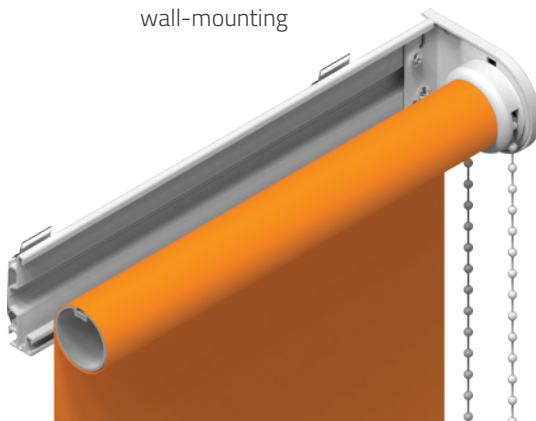


top-fixing

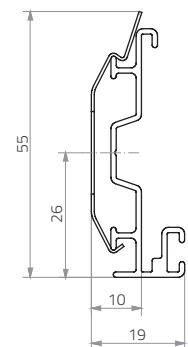
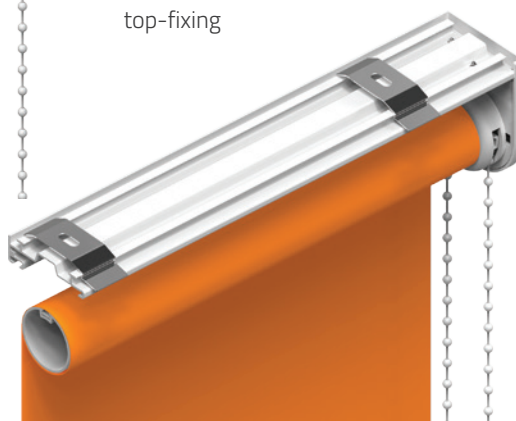


clip-fixed mounting profile:

wall-mounting

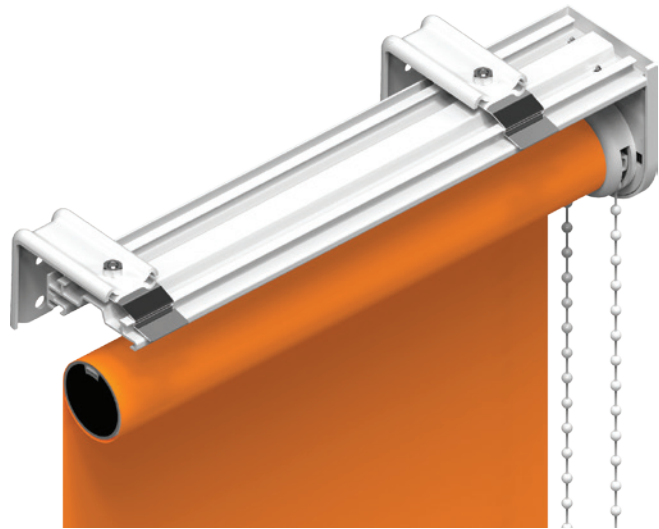
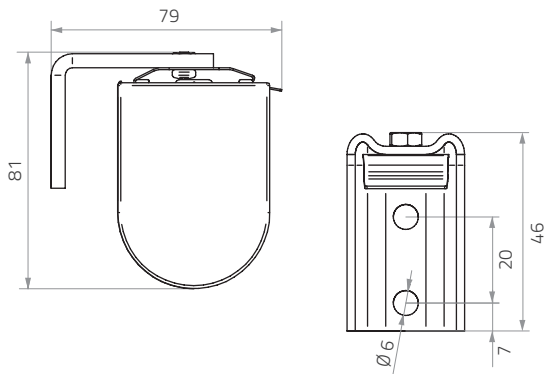


top-fixing



# RM 32 – fixing components

wall bracket-fixed mounting profile



Please note: only zinc-coated mounting profile clips are available.

colours available: white, cream, brown, grey, silver anode, anthracite, black, any other RAL colour

## Recommended number of brackets / fixing points in blinds of different width



≤ 1000 mm	1001 - 1500 mm	1501 - 2000 mm	2001 - 2200 mm
2	3	4	5

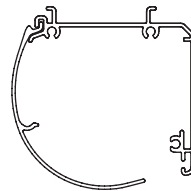

\*Concerns fixing on the side of control mechanism only.

# RM 32 Roller Blind System – cassettes

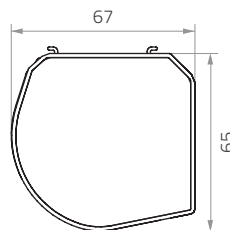
Closed cassette



Cassette cross section



Cassette with side cover - cross section



Ball chain mechanism

white, cream, brown, grey, silver anode, anthracite, black, any other RAL colour

Spring mechanism

white

N1 battery-powered electric drive

white, cream, brown, grey, silver anode, anthracite, black, any other RAL colour

N5 electric drive

white, cream, brown, grey, silver anode, anthracite, black, any other RAL colour

PRICE LIST SYMBOL

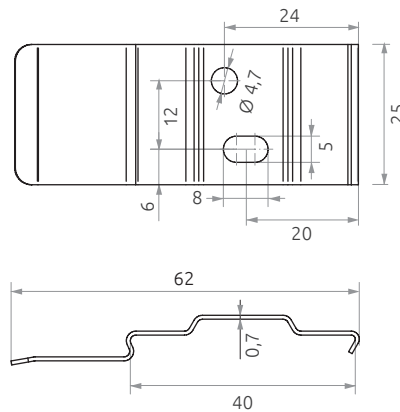
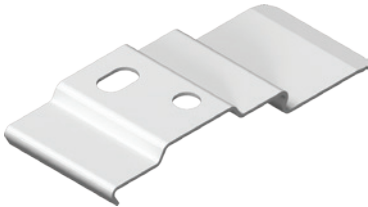
OS 3

# RM 32 Roller Blind system – cassette fixing components



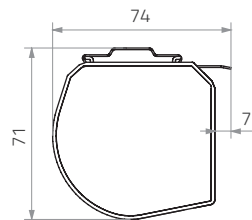
Fixing brackets available for all types of cassettes

## Clip bracket (top fixing)

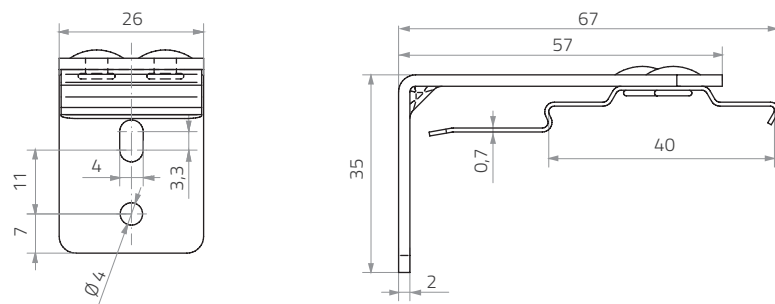


colours available: white, cream, brown, galvanized, anthracite, black, any other RAL colour.

Closed cassette

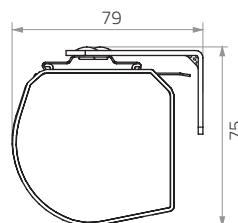


## Clip angle bracket (wall mounting)



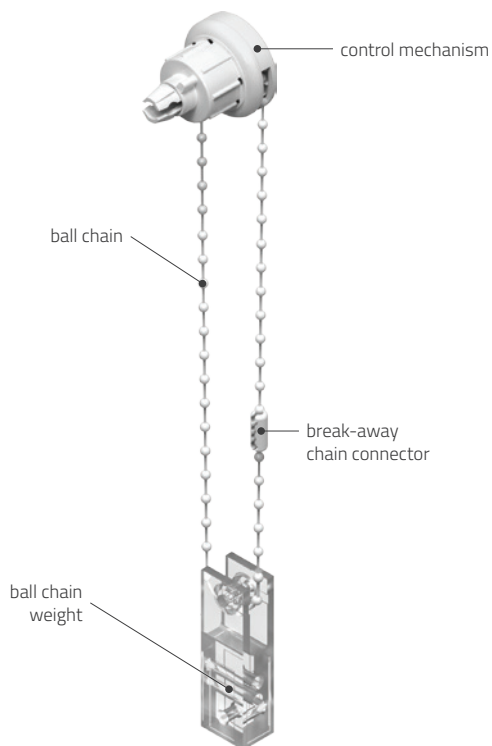
colours available: white, cream, brown, galvanized, anthracite, black, any other RAL colour.

Closed cassette



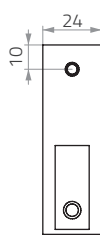
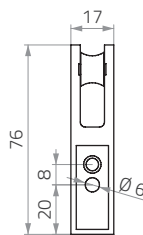
# RM 32 roller blind – operation

## Ball chain mechanism



## Safety cleat

used in metal ball chain



## Types of ball chain

### PVC ball chain



ball diameter: 4,5 mm

break-away chain connector (PVC ball chain element) is fully compliant with PN-EN 13120:2014+A1 safety standard

### metal ball chain (optional feature)



ball diameter: 4.5 mm

safety cleat (metal ball chain element) is fully compliant with PN-EN 13120:2014+A1 safety standard

Please note: no ball chain weight with metal ball chain.

COLOUR	RM 32 PVC bracket	RM 32 metal bracket	RM 32 mounting profile	RM 32 closed cassette
white	✓	✓	✓	✓
cream		✓	✓	✓
brown		✓	✓	✓
silver anode			✓	✓
grey		✓	✓	✓
anthracite		✓	✓	✓
black		✓	✓	✓
any RAL colour			✓	✓

# RM 32 roller blind – operation

## Spring mechanism

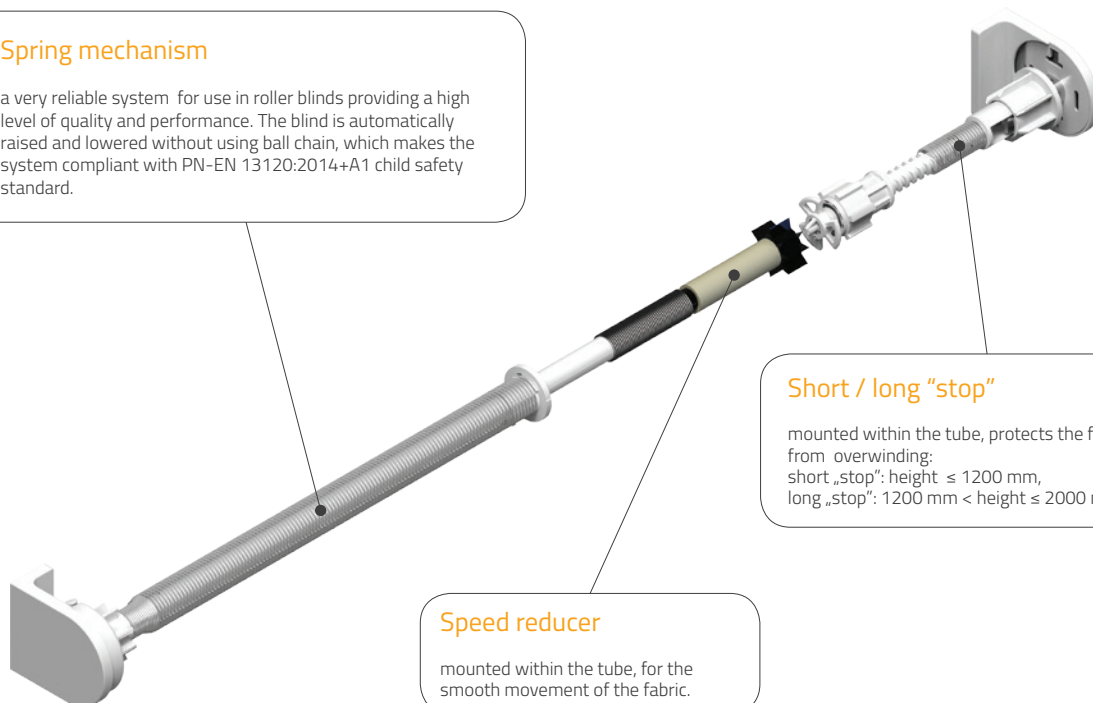


Maximum **height** of a roller blind with spring mechanism is 2000 mm.

Minimum **width** of a roller blind with spring mechanism is 700 mm.

### Spring mechanism

a very reliable system for use in roller blinds providing a high level of quality and performance. The blind is automatically raised and lowered without using ball chain, which makes the system compliant with PN-EN 13120:2014+A1 child safety standard.



### Short / long "stop"

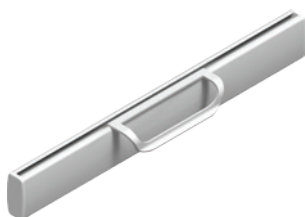
mounted within the tube, protects the fabric from overwinding:  
short „stop“: height ≤ 1200 mm,  
long „stop“: 1200 mm < height ≤ 2000 mm.

### Speed reducer

mounted within the tube, for the smooth movement of the fabric.

## Bottom bar – cords and handles

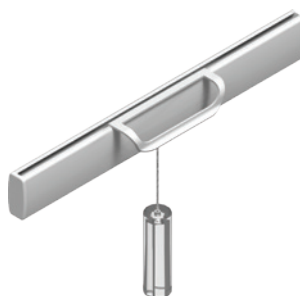
handle



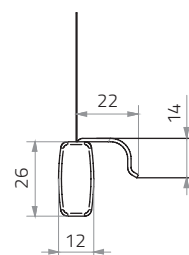
pull cord



handle + pull cord



handle dimensions



Bottom bar handle available in white only.



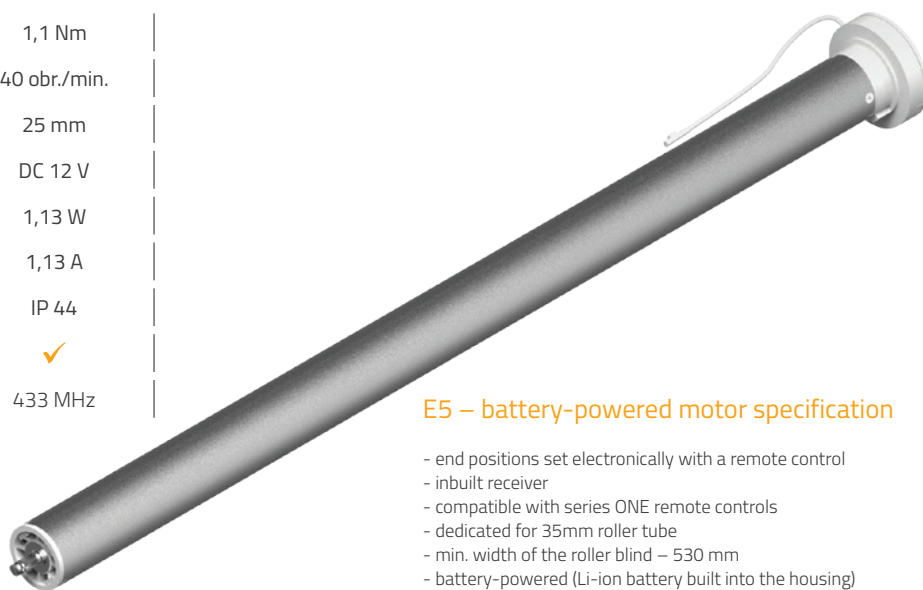
According to the requirements of PN-EN 13120:2014+A1 standard, the length of the pull cord should not exceed 20 cm.

	RM 32 PVC bracket	RM 32 metal handle	RM 32 mounting profile	RM 32 closed cassette
PRICE LIST SYMBOL	not applicable	OD 1	OD 1	OD 2
white	not applicable	✓	✓	✓

# RM 32 – motors and control

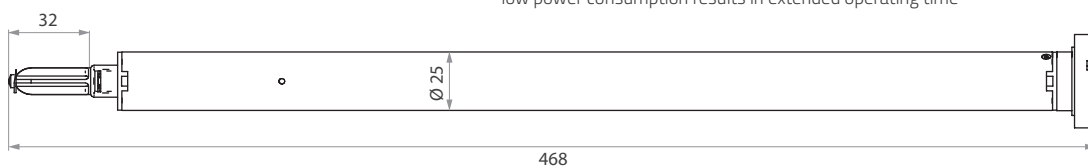
## E5 – battery-operated, radio-controlled motor

Motor parameters	
torque	1,1 Nm
RPM	40 obr./min.
motor diameter	25 mm
voltage	DC 12 V
power	1,13 W
amperage	1,13 A
IP class	IP 44
inbuilt receiver	✓
radio frequency	433 MHz



### E5 – battery-powered motor specification

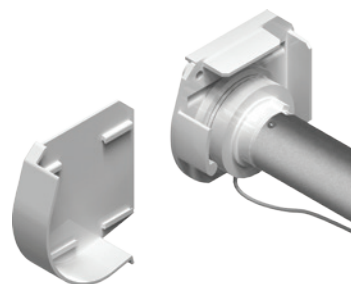
- end positions set electronically with a remote control
- inbuilt receiver
- compatible with series ONE remote controls
- dedicated for 35mm roller tube
- min. width of the roller blind – 530 mm
- battery-powered (Li-ion battery built into the housing)
- easy mount – no need for power supply cable
- low power consumption results in extended operating time



### E5 battery-powered motor charger



Retractable side cover protection allows charging the motor without opening its cassette (concerns RM 32 closed cassette system **only**). The motor is mounted on the left side of the roller blind **only**.



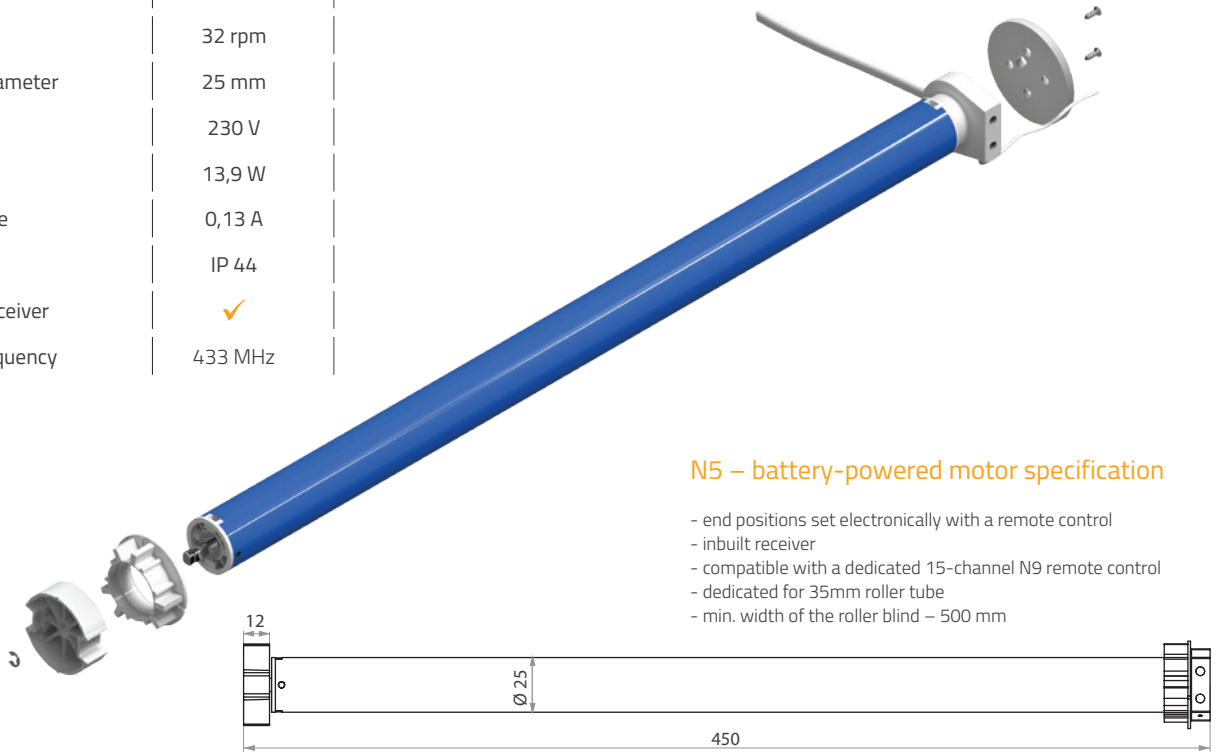
COLOUR	RM 32 PVC handle	RM 32 metal handle	RM 32 mounting profile	RM 32 closed cassette
white	not available	✓	✓	✓
cream		✓	✓	✓
brown		✓	✓	✓
silver anode		✓	✓	✓
grey		✓	✓	✓
anthracite		✓	✓	✓
black		✓	✓	✓
any RAL		✓	✓	✓



# RM 32 – motors and control

## N5 – battery-operated, radio-controlled motor

Motor parameters	
torque	1,5 Nm
RPM	32 rpm
motor diameter	25 mm
voltage	230 V
power	13,9 W
amperage	0,13 A
IP class	IP 44
inbuilt receiver	✓
radio frequency	433 MHz



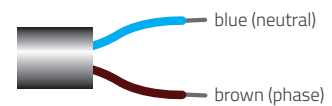
### N5 – battery-powered motor specification

- end positions set electronically with a remote control
- inbuilt receiver
- compatible with a dedicated 15-channel N9 remote control
- dedicated for 35mm roller tube
- min. width of the roller blind – 500 mm

### ONE series remote controls



### Connection scheme



length of cable: 2 m

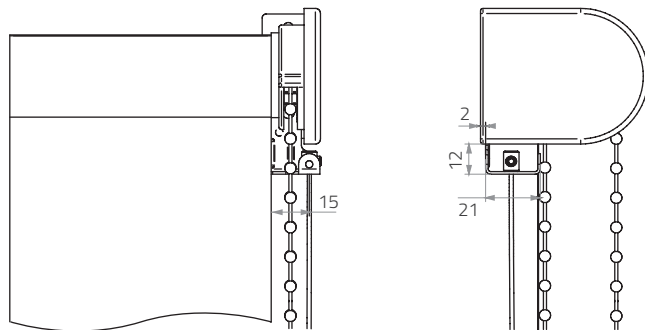
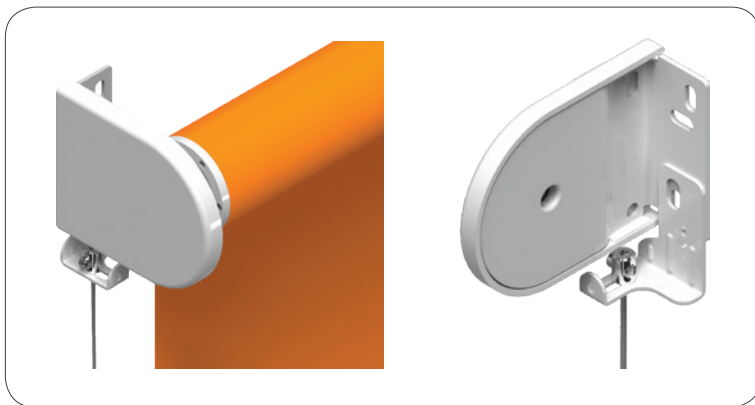
COLOUR	RM 32 PVC handle	RM 32 metal handle	RM 32 mounting profile	RM 32 closed cassette
white		✓	✓	✓
cream		✓	✓	✓
brown		✓		✓
silver anode	not available		✓	✓
grey		✓	✓	✓
anthracite		✓	✓	✓
black		✓	✓	✓
any RAL		✓	✓	✓

# RM 32 – guide wire

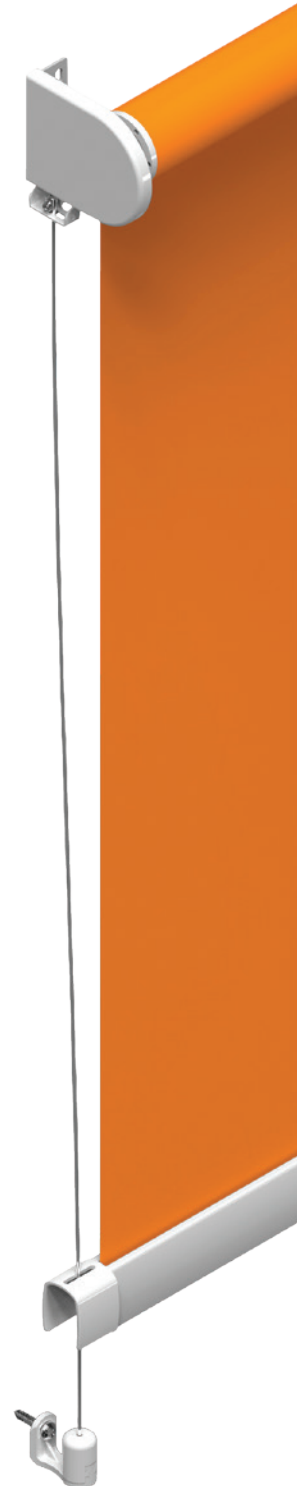
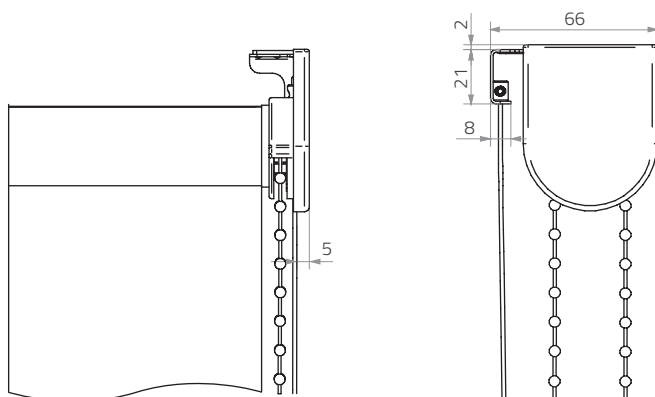
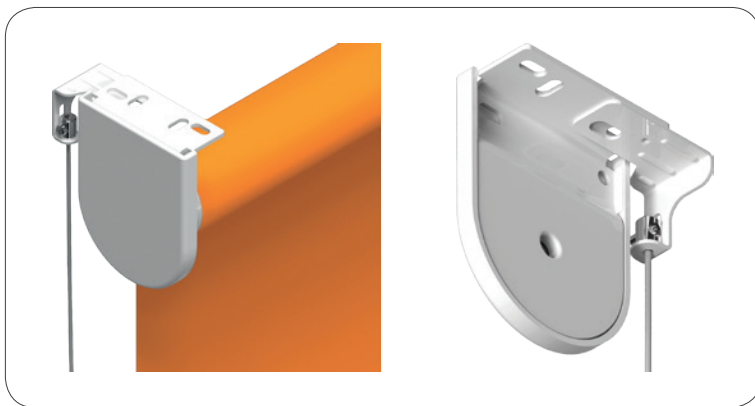
## Fixing guide wire – wall mounting



Guide wire available with RM 32 roller blind with metal bracket only.



## Fixing guide wire – top fixing

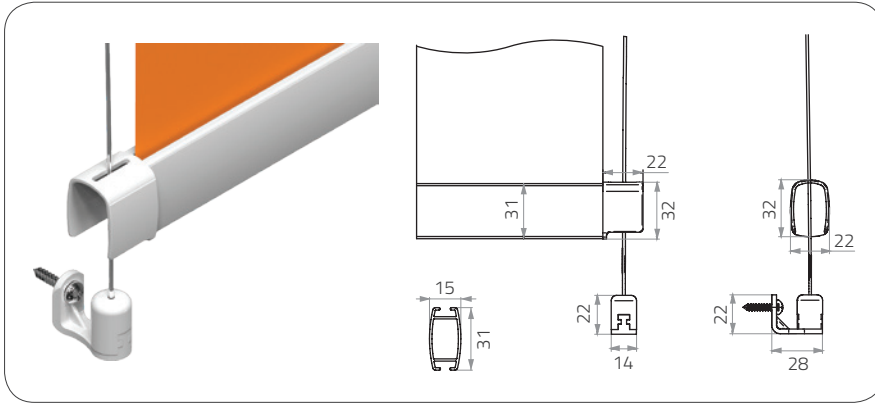


# RM 32 – guide wire

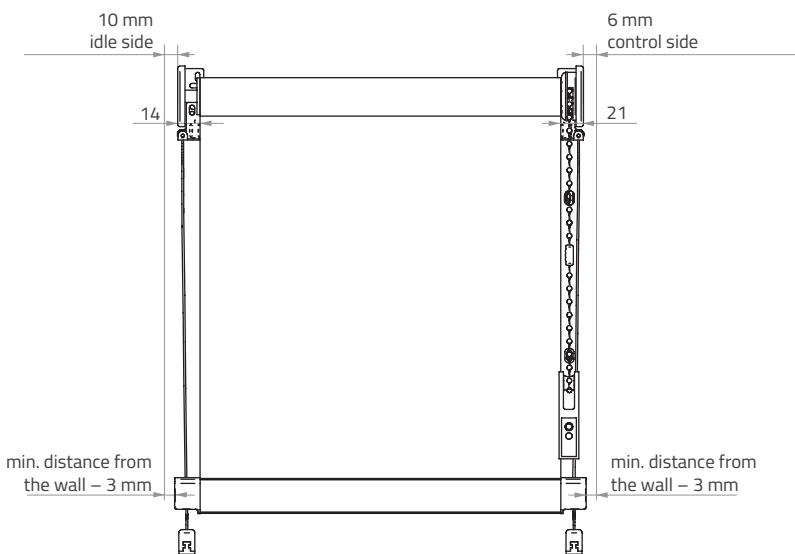
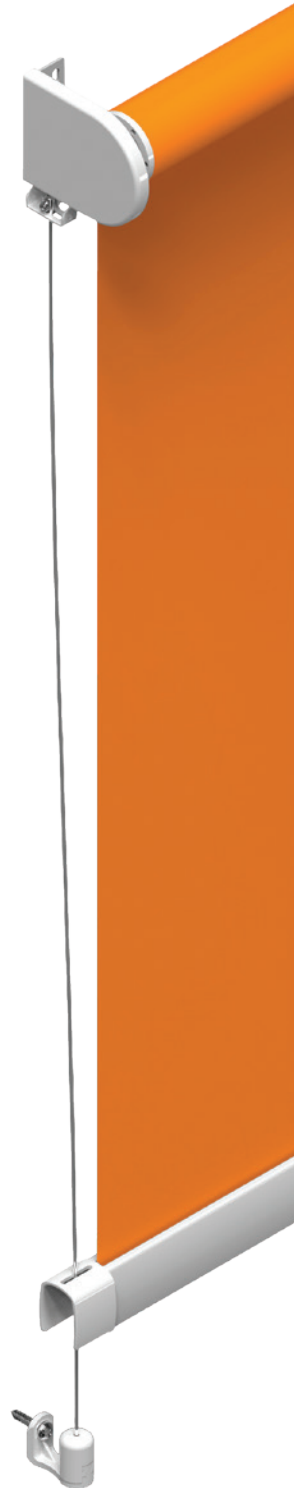
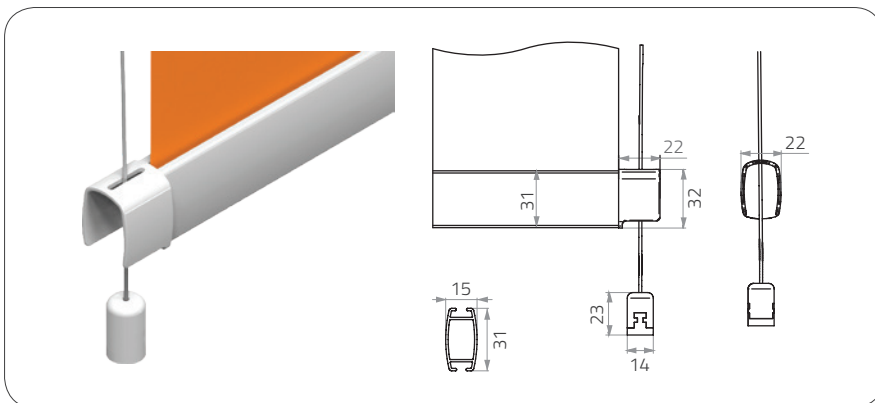
## Guide wire bracket (bracket A) - wall/window mounting



Steel wire available in 2 options:  
- 1 mm – PVC coated steel wire  
- 1,2 mm – PVC coated stainless steel wire



## Guide wire bracket (bracket B) - wall/window sill mounting



Please note: bottom bar is 10 mm wider than overall dimension



In guide wire system, bottom weight (bottom bar) dimensions are subject to change.

RM 32 WITH SIDE CHANNELS





---

## RM 32 WITH SIDE CHANNELS

---

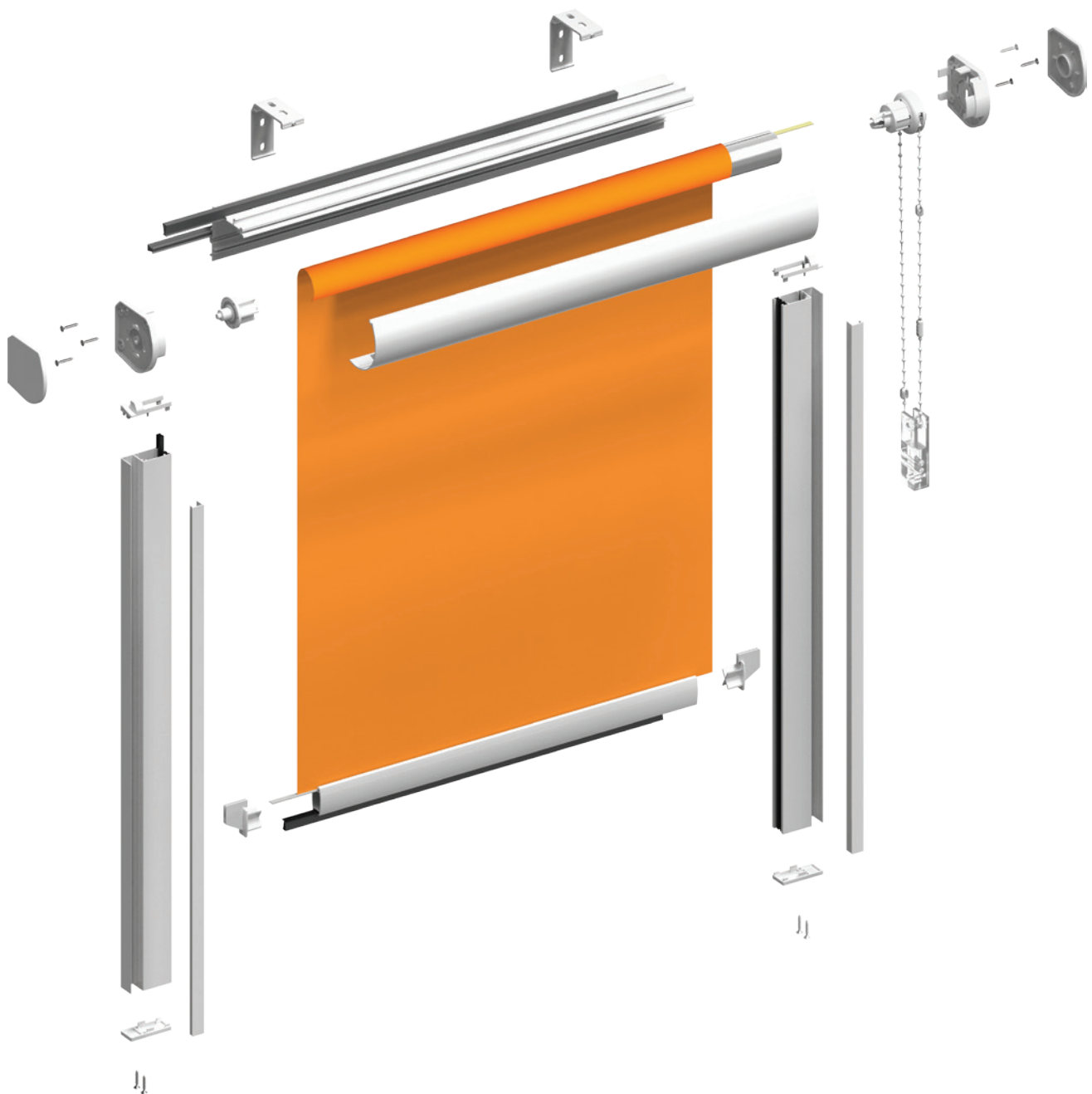
Dimensions	36
Cassette	37
Fixing brackets	37
Side guide	38
Control	39
Motors/drives and control	40 - 41

# RM 32 WITH SIDE CHANNELS – dimensions

	max width	max height	max total surface area
RMP 32	2200 mm	3000 mm*	6,6 m <sup>2</sup>

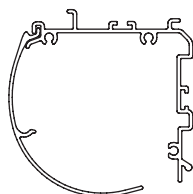


\*Max height of the blind depends on the thickness of the fabric used.

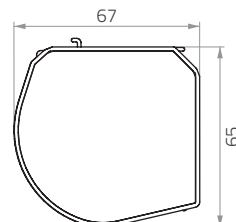


# RM 32 Roller blind with side channels – cassette

## Closed cassette



cassette cross-section

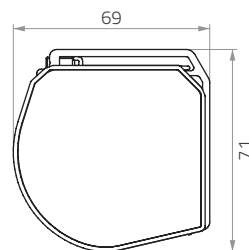
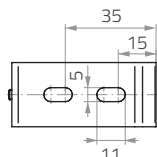
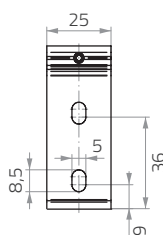
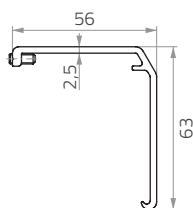


cassette with side cover – cross-section

colours available: white, cream, brown, silver anode, grey, anthracite, black, any RAL colour

# RM 32 Roller blind with side channels – fixing components

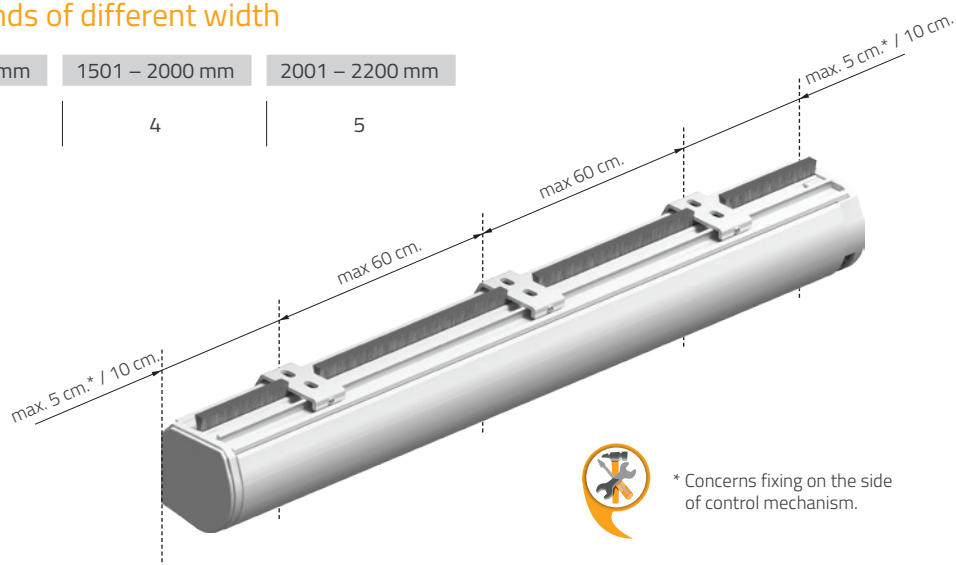
## Angle bracket



Cassette with angle bracket – cross-section

## Number of brackets in blinds of different width

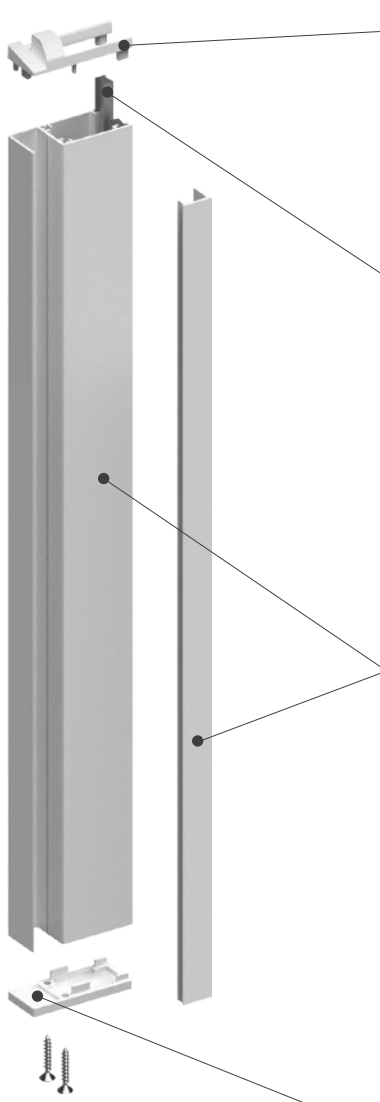
≤ 1000 mm	1001 – 1500 mm	1501 – 2000 mm	2001 – 2200 mm
2	3	4	5



\* Concerns fixing on the side of control mechanism.

# RM 32 Roller blind with side channels – side guide

## Side channel



**Glider for side channel**

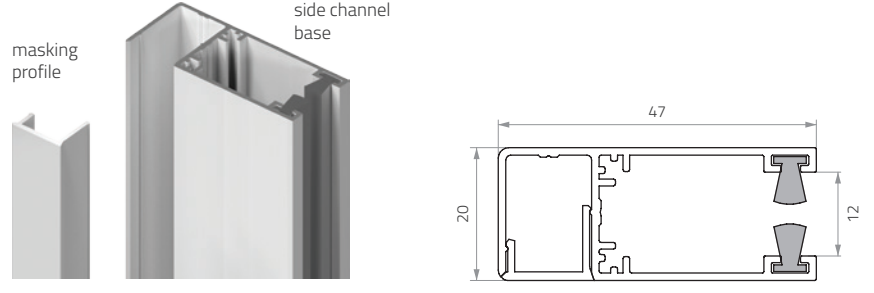
Ensures smooth running of the blind. Protects the fabric from the sharp edges of side channels while aligning it into position so it rolls up evenly into the cassette.

**Brush seal**

7,5x5 seal reduces light transmission from the outside to a minimum. Guarantees quiet operation of the blind; its thick texture keeps impurities away from the side channel.

**Side channel**

Made of aluminium, consists of two profiles: base and masking profile. Profile mounting chamber allows mounting the side channel onto the frame or the wall using screws while masking profile makes the mount invisible. The wide guiding channel considerably reduces the amount of penetrating light.



masking profile

side channel base

47

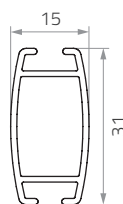
20

12

**Side channel cap**

Made of tough and reliable plastic, available in full range of colours. Fixed to the bottom of the side channels with two screws, it is designed to give the channels an aesthetically pleasing look.

## Bottom bar



### Specification

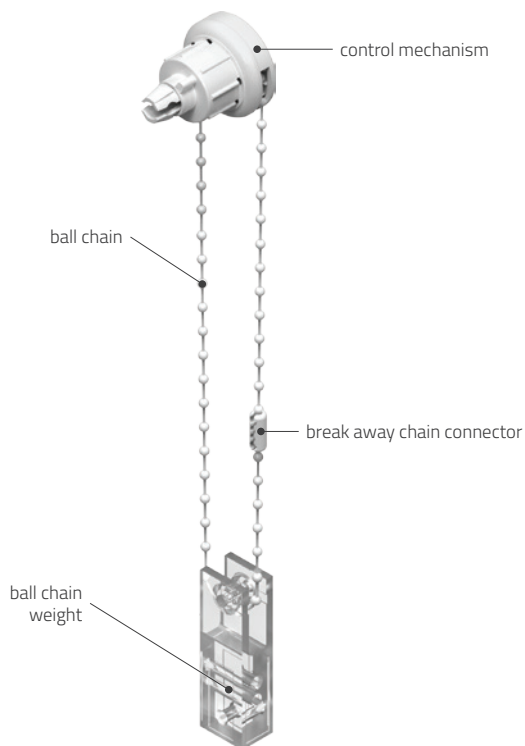
- extruded aluminium head rail
- 1,25mm\* thick

\* difference in thickness may depend on coating thickness



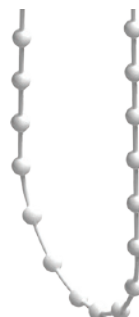
# RM 32 Roller blind with side channels – operation

## Ball chain mechanism – diagram



## Types of ball chain

### PVC ball chain



ball diameter: 4,5mm

break-away chain connector (PVC ball chain element) is fully compliant with PN-EN 13120:2014+A1 safety standard

### metal ball chain (optional)



ball diameter: 4,5mm

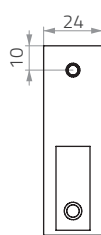
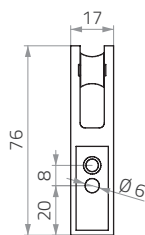
break-away chain connector (PVC ball chain element) is fully compliant with PN-EN 13120:2014+A1 safety standard

Please note: metal ball chain is not fitted with a weight.



### Safety cleat

used in metal ball chain



COLOUR	white RAL 9003	cream RAL 1013	brown RAL 8019	silver anode	grey RAL 7035	anthracite RAL 7016	black RAL 9005	any RAL
RMP 32	✓	✓	✓	✓	✓	✓	✓	✓

# RM 32 Roller blind with side channels – motors and control

## E5 – battery-operated, radio-controlled motor

Motor parameters	
Torque	1,1 Nm
RPM	40 rpm
Motor diameter	25 mm
Supply voltage	DC 12 V
Power	1,13 W
Amperage	1,13 A
IP class	IP 44
Inbuilt receiver	✓
Radio frequency	433 MHz



### E5 – battery-powered motor specification

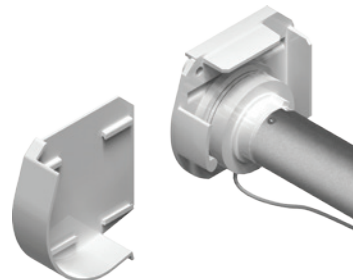
- end positions set electronically with a remote control
- inbuilt receiver
- compatible with series ONE remote controls
- dedicated for 35mm roller tube
- min. width of the roller blind – 530 mm
- battery-powered (Li-ion battery built into the housing)
- easy mount – no need for power supply cable
- low power consumption results in extended operating time



### E5 battery-powered motor charger



Retractable side cover protection allows charging the motor without opening its cassette (concerns RM 32 closed cassette system **only**). The motor is mounted on the left side of the roller blind **only**.

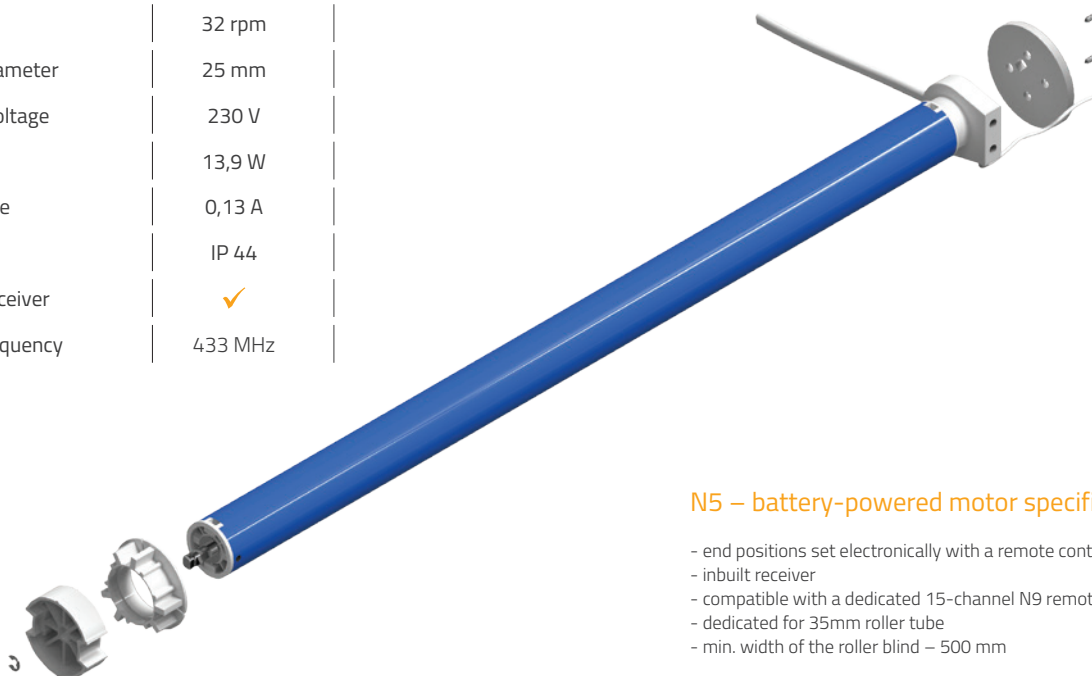


COLOUR	white RAL 9003	cream RAL 1013	brown RAL 8019	silver anode	grey RAL 7035	anthracite RAL 7016	black RAL 9005	any RAL
RMP 32	✓	✓	✓	✓	✓	✓	✓	✓

# RM 32 Roller blind with side channels – motors and control

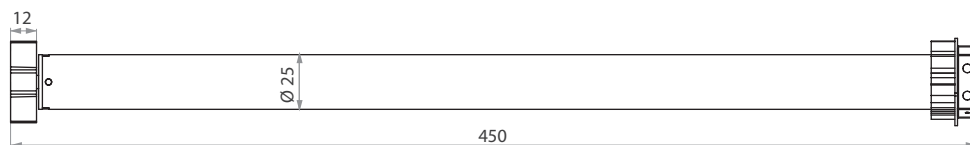
## N5 – battery-operated, radio-controlled motor

Motor parameters	
Torque	1,5 Nm
RPM	32 rpm
Motor diameter	25 mm
Supply voltage	230 V
Power	13,9 W
Amperage	0,13 A
IP class	IP 44
Inbuilt receiver	✓
Radio frequency	433 MHz



### N5 – battery-powered motor specification

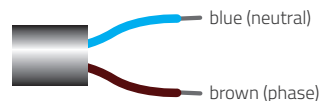
- end positions set electronically with a remote control
- inbuilt receiver
- compatible with a dedicated 15-channel N9 remote control
- dedicated for 35mm roller tube
- min. width of the roller blind – 500 mm



### ONE series remote controls



### Connection diagram



length of cable: 2 m

COLOUR	white RAL 9003	cream RAL 1013	brown RAL 8019	silver anode	grey RAL 7035	anthracite RAL 7016	black RAL 9005	any RAL
RMP 32	✓	✓	✓	✓	✓	✓	✓	✓

RM 40/40+



---

## RM 40 / 40+

---

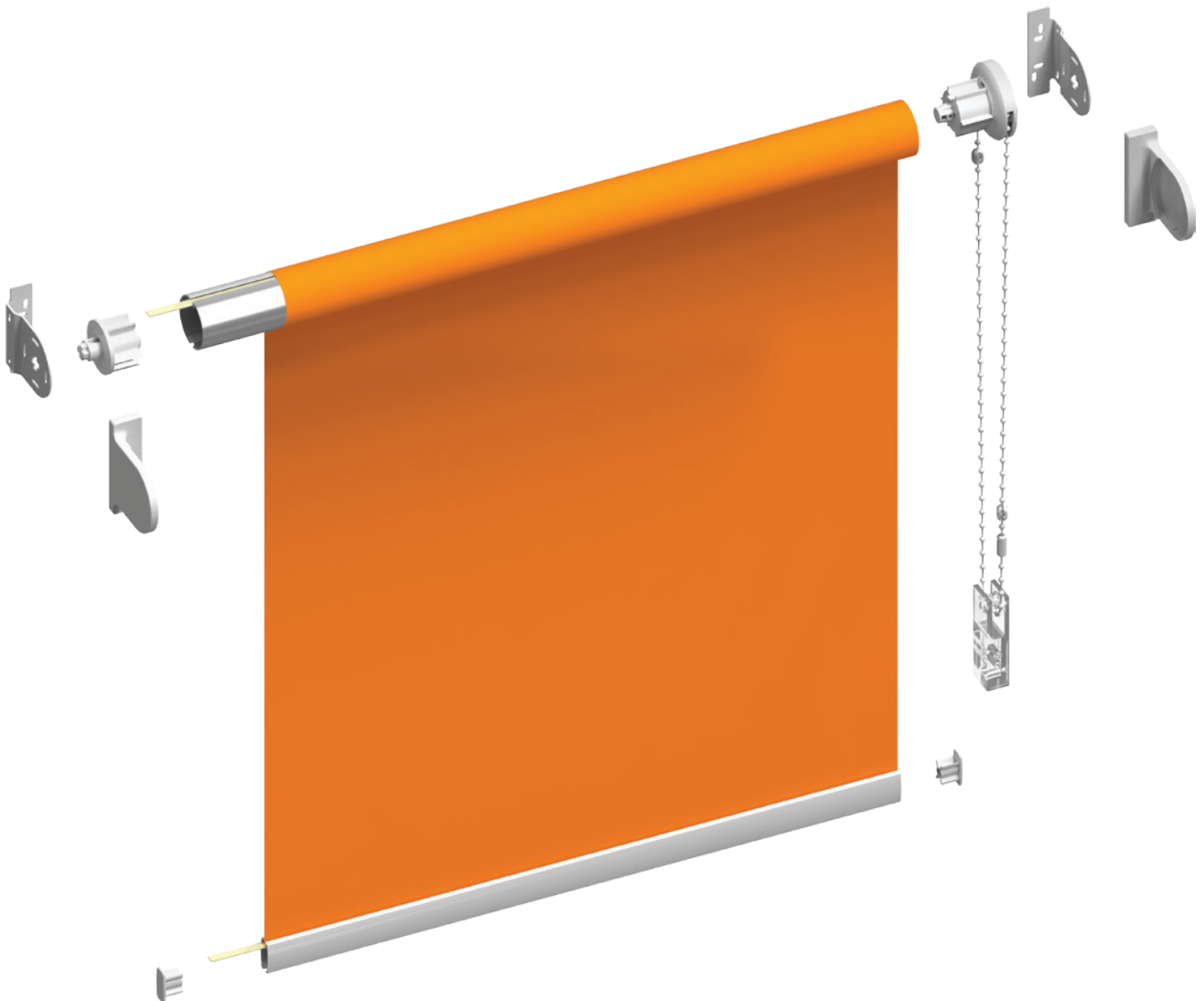
Dimensions	44 - 45
Fixing brackets	46 - 51
Cassettes	52
Covers	53
Cassette / cover fixing brackets	54 - 55
RM 40 - Duo Link	56
RM 40 - Multi Link	57
Control	58 - 60
Motors/drives and control	61 - 63
Guide wire system	64 - 65

# System RM 40/40+ Roller Blind System – dimensions

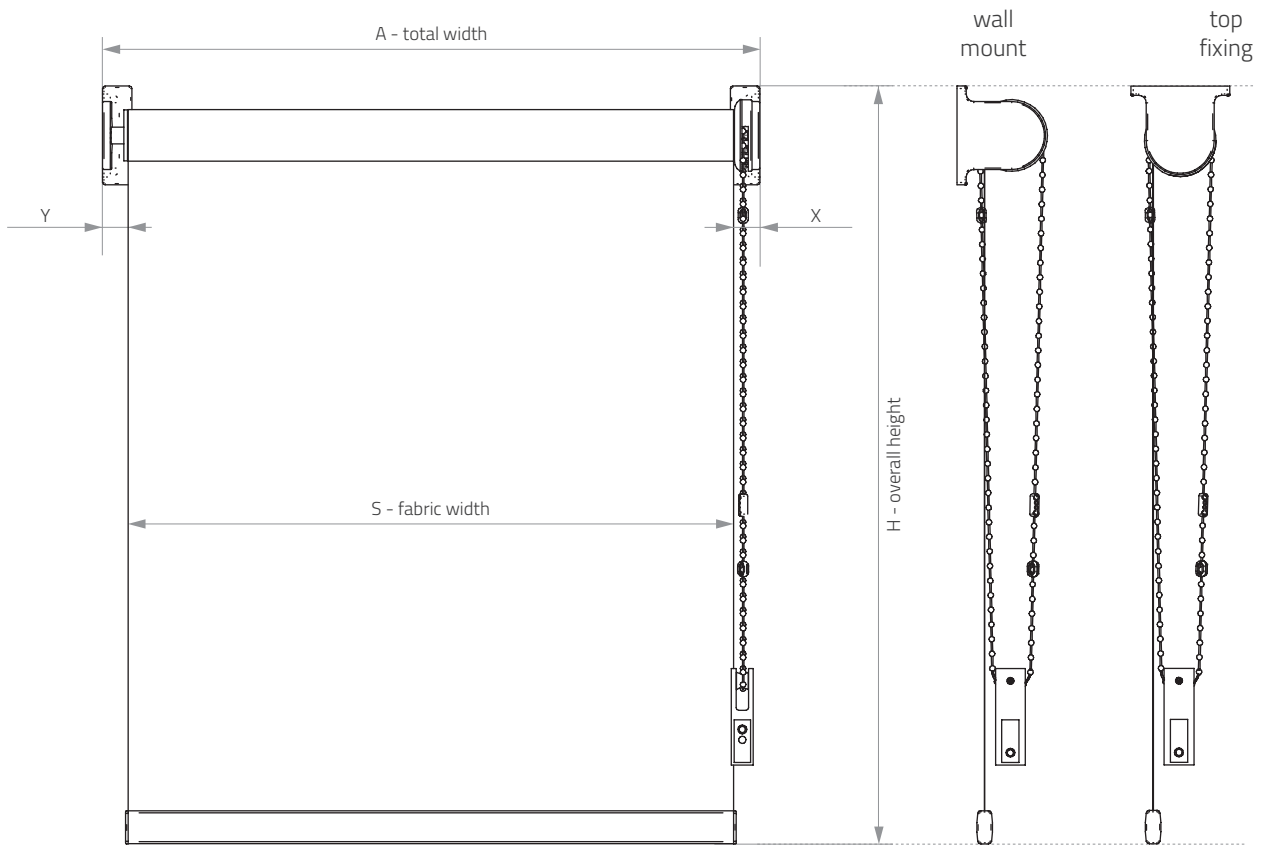
	max. width	max. height	max. total surface area
RM 40	2500 mm	4000 mm*	10 m <sup>2</sup>
RM 40+	2500 mm	4000 mm*	10 m <sup>2</sup>



\* Max. height of the roller blind depends on thickness of the fabric used.



# System RM 40/40+ Roller Blind System – dimensions



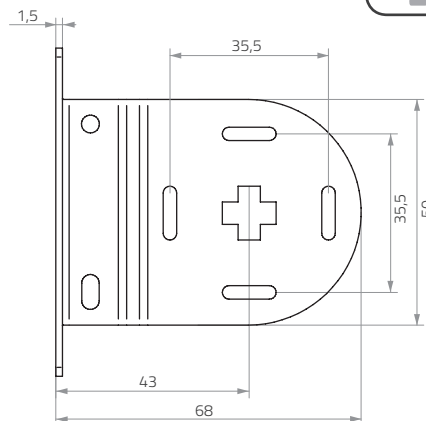
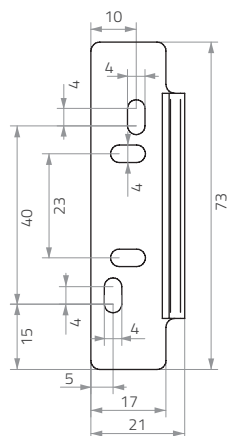
Depending on measurements taken, the client provides one width dimension only (A or S).

## The difference between overall width and fabric width

	RM 40/40+ metal bracket	RM 40 mounting profile	RM 40/40+ closed cassette	RM 40/40+ square cover	RM 40/40+ oval cover
TOTAL	40 mm	40 mm	40 mm	40 mm	40 mm
Control End X	24 mm	24 mm	24 mm	24 mm	24 mm
Idle End Y	16 mm	16 mm	16 mm	16 mm	16 mm

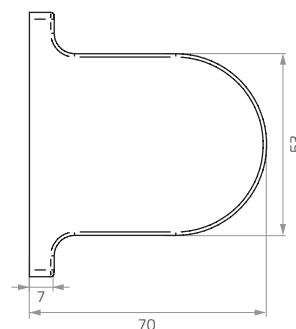
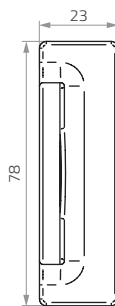
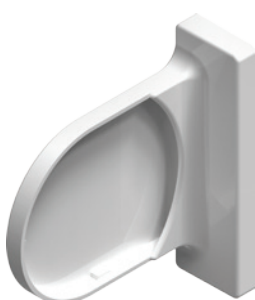
# System RM 40/40+ Roller Blind System – fixing brackets

## RM 40 metal bracket

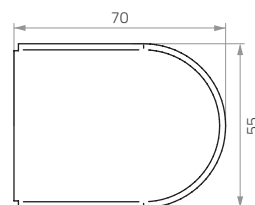


colours available: white, cream, grey, black

## Handle cover type 1



## Handle cover type 2



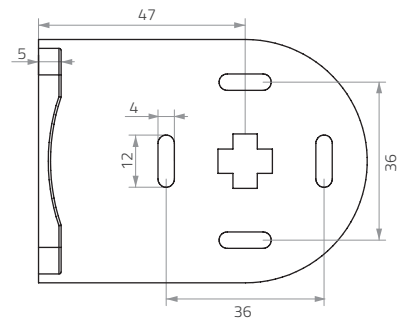
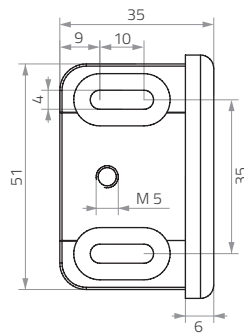
	RM 40 metal bracket	RM 40 metal bracket + side guide	RM 40+ metal bracket	extension bracket	RM 40 decorative metal bracket
Handle cover type 1	✓		✓	not available	not available
Handle cover type 2		✓	✓	not available	not available





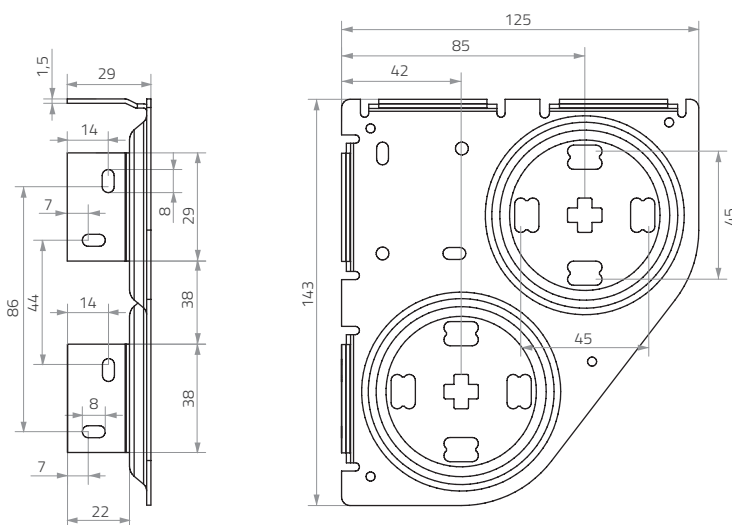
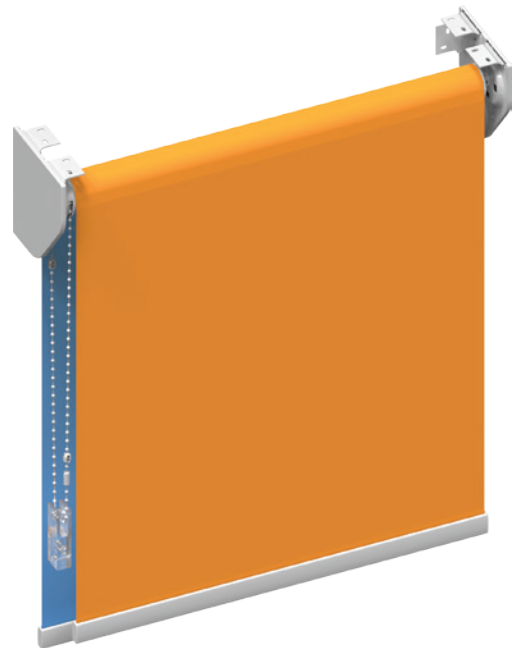
# System RM 40/40+ Roller Blind System – fixing brackets

## OD 13 (RM 40) Decorative metal bracket



colour available: silver

## OD 12 (RM 40, RM 40+) Double bracket

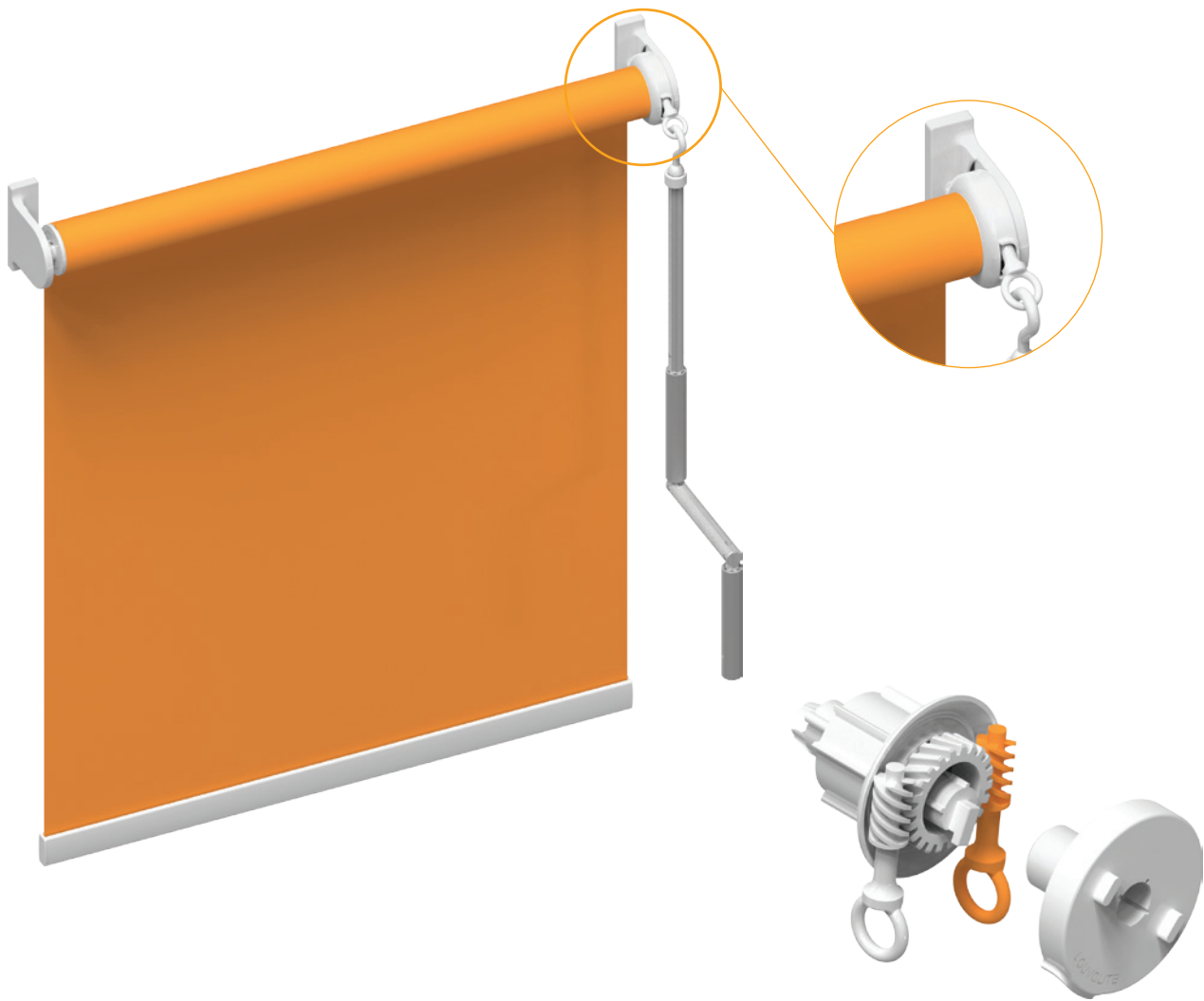


colours available: white, grey, black

---

# System RM 40 Roller Blind System – tilter

---



# RM 40 – fixing brackets

## OS 1 Mounting profile

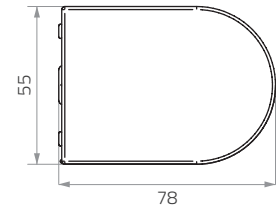
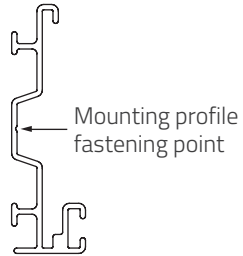


Please note: mounting profile is used with metal bracket only.

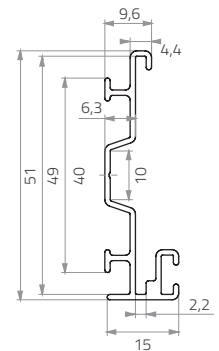
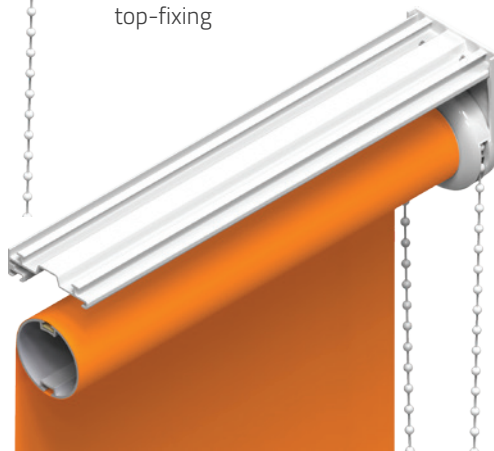
Three ways of mounting the roller blind:

mounting plate fixed with screws:

wall-mounting

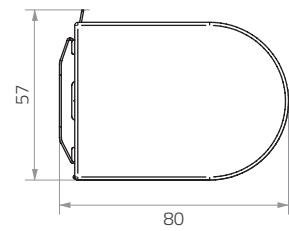


top-fixing

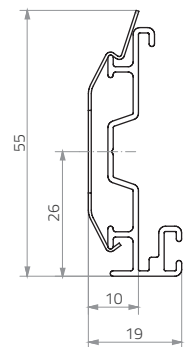
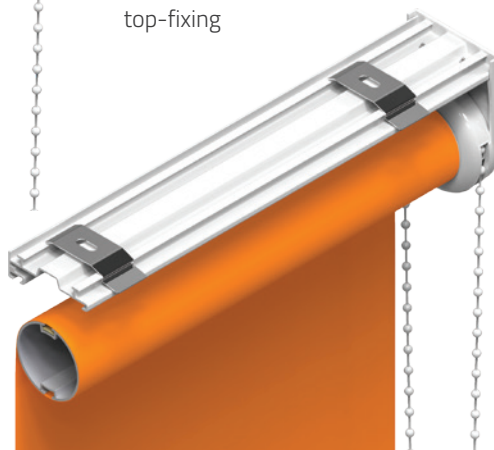


clip-fixed mounting profile:

wall-mounting

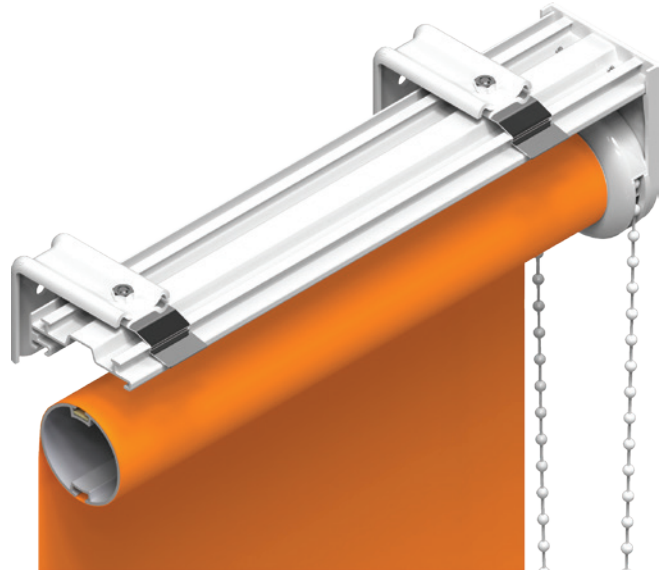
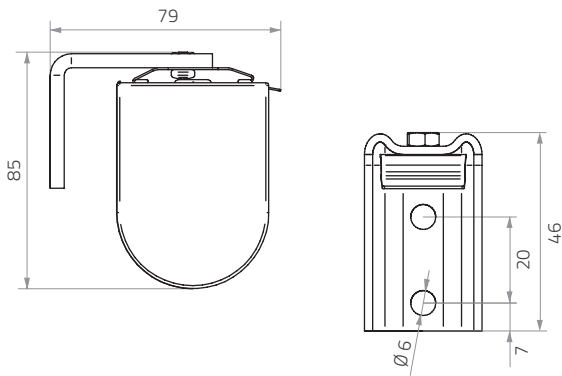


top-fixing



# RM 40 – fixing brackets

wall bracket-fixed mounting profile



Please note: only zinc-coated mounting profile clips are available.

colours available: white, cream, grey, anthracite, black, any RAL colour

## Recommended number of brackets / mounting plate fixing points in blinds of different width



≤ 1000 mm	1001 - 1500 mm	1501 - 2000 mm	2001 - 2500 mm
2	3	4	5



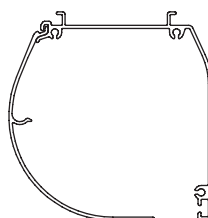
\* Concerns fixing on the side of control mechanism.

# RM 40/40+ Roller Blind System – cassette types

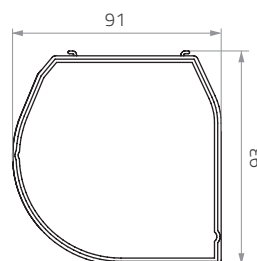
Closed cassette RM 40/40+



Cassette cross section



Cassette with side cover - cross section



Ball chain mechanism

white, silver anode, grey, black, any other RAL colour

Spring mechanism

white

N1 battery-powered electric drive

white, silver anode, grey, black, any other RAL colour

Electric drive

white, silver anode, grey, black, any other RAL colour

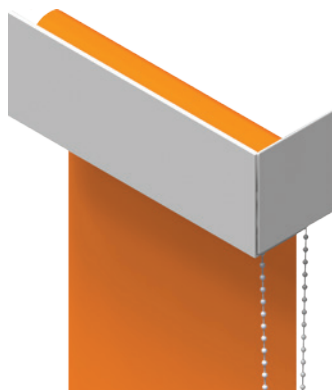
PRICE LIST SYMBOL

OS 5

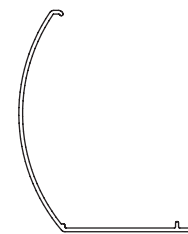
# RM 40/40+ Roller Blind System – covers

Square cover RM 40/40+

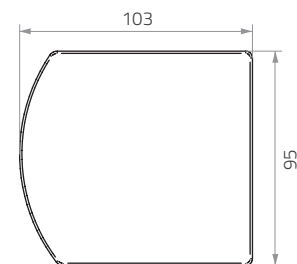
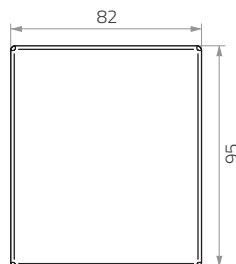
Oval cover RM 40/40+



Cassette cross section



Cassette with side cover - cross section



Ball chain mechanism

white, silver anode, any RAL colour

white, silver anode, any RAL colour

Spring mechanism

**not available**

**not available**

N1 battery-powered electric drive

**not available**

**not available**

Electric drive

white, silver anode, any RAL colour

white, silver anode, any RAL colour

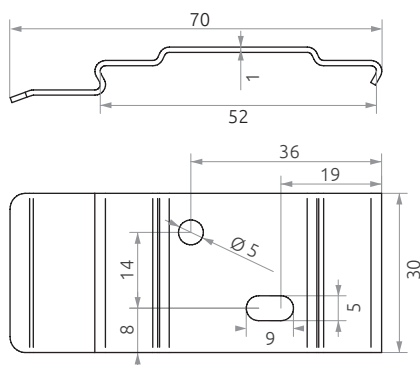
PRICE LIST SYMBOL

OS 6

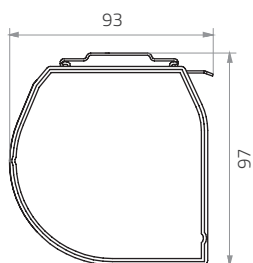
OS 7

# RM 40/40+ Roller Blind system – fixing components

## Clip bracket (top fixing)

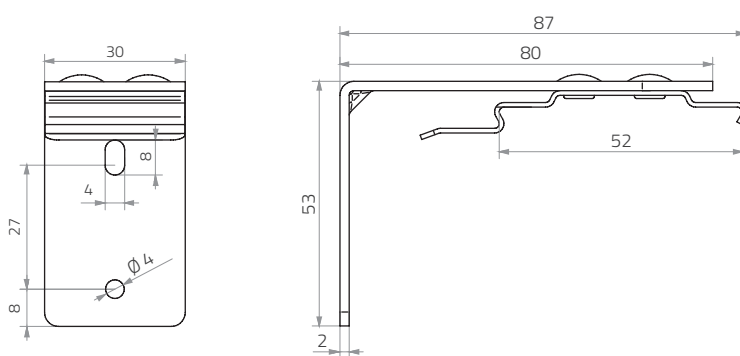


Closed cassetteRM 40/40+

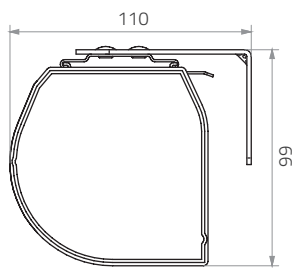


colours available: white, cream, silver anode, anthracite, black, any other RAL colour

## Clip angle bracket (wall mounting)



Closed cassetteRM 40/40+

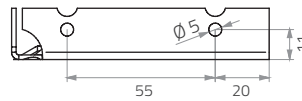
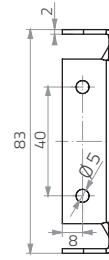
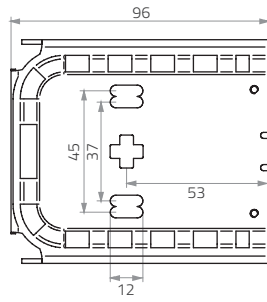


colours available: white, cream, silver anode, anthracite, black, any other RAL colour



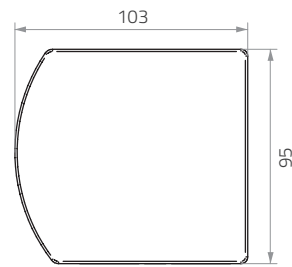
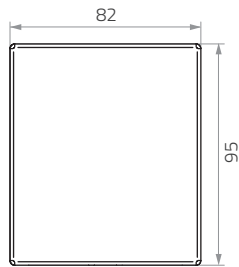
# RM 40/40+ Roller Blind system – fixing components

## Square / oval cover bracket (universal)



RM 40/40+ square cover

RM 40/40+ oval cover



colours available: white, silver anode

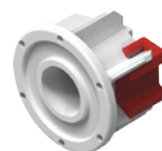
# RM 40 – Duo Link Roller Blind System

## Duo Link - OD 8

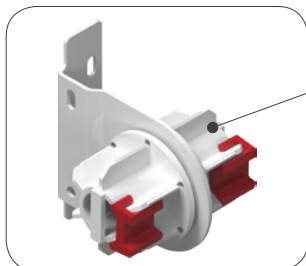
**Duo Link** allows to join two roller blinds controlled by independent drives. The blinds may be of different lengths and heights.

The set includes an intermediate bracket (joining the blinds at the intermediate point) as well as dedicated plunger ends.

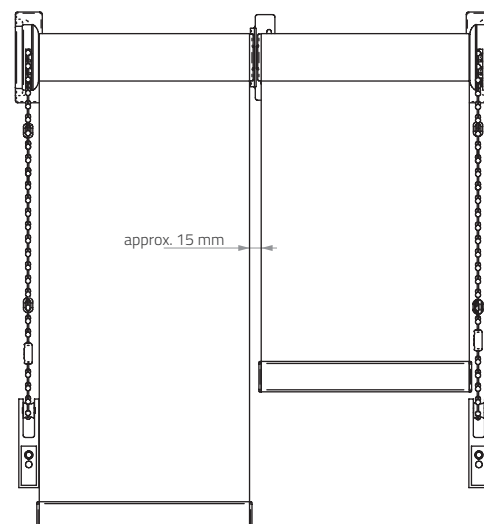
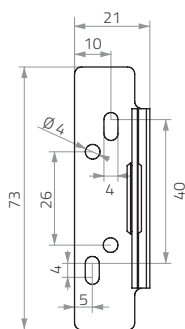
**Please note:** no possibility to mount side control operating unit on the connecting bracket / at the intermediate point.



Duo Link plunger end



Connecting bracket (intermediate)



colours available:  
white, cream, grey, black

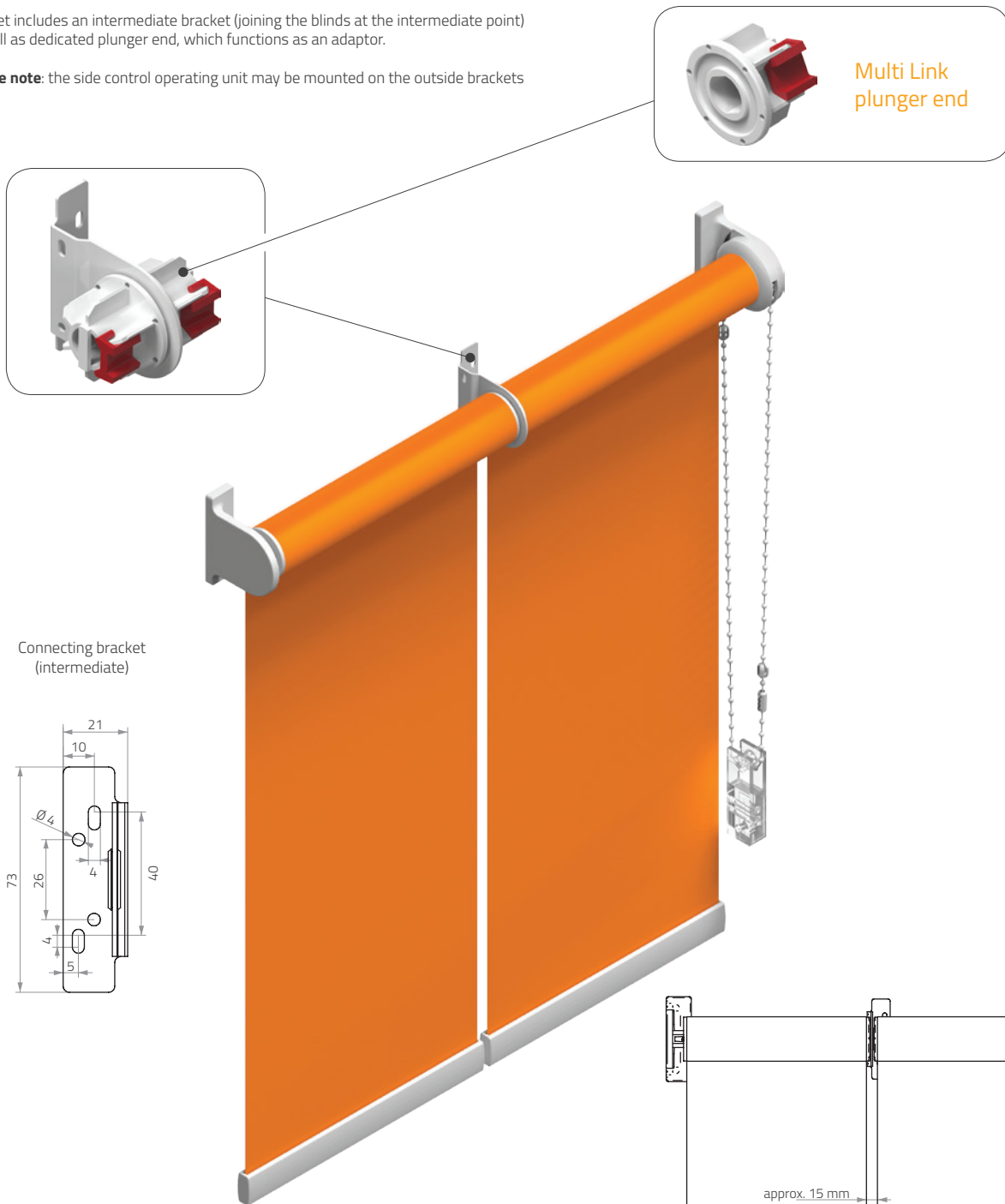
# RM 40 – Multi Link Roller Blind System

## Multi Link – OD 7

**Multi Link** allows to join two or more roller blinds controlled by a common drive. The blinds may be of different widths, but should be **the same height**.

The set includes an intermediate bracket (joining the blinds at the intermediate point) as well as dedicated plunger end, which functions as an adaptor.

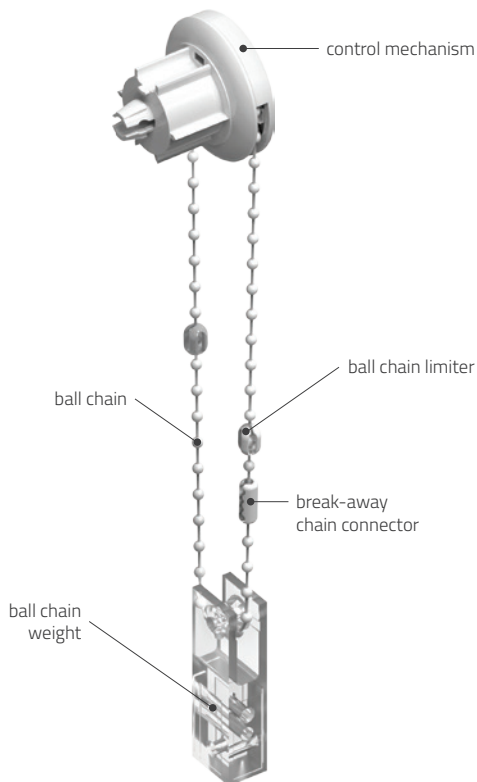
**Please note:** the side control operating unit may be mounted on the outside brackets only.



colours available:  
white, cream, grey, black

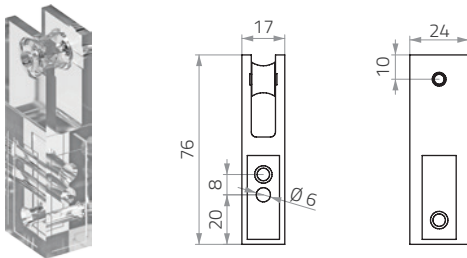
# RM 40 roller blind – operation

## Ball chain mechanism



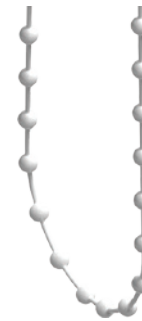
## Safety cleat

used in metal ball chain



## Types of ball chain

### PVC ball chain



ball diameter: 4,5 mm



break-away chain connector (PVC ball chain element) is fully compliant with PN-EN 13120:2014+A1 safety standard

### metal ball chain (optional feature)



ball diameter: 4,5 mm



safety cleat (metal ball chain element) is fully compliant with PN-EN 13120:2014+A1 safety standard

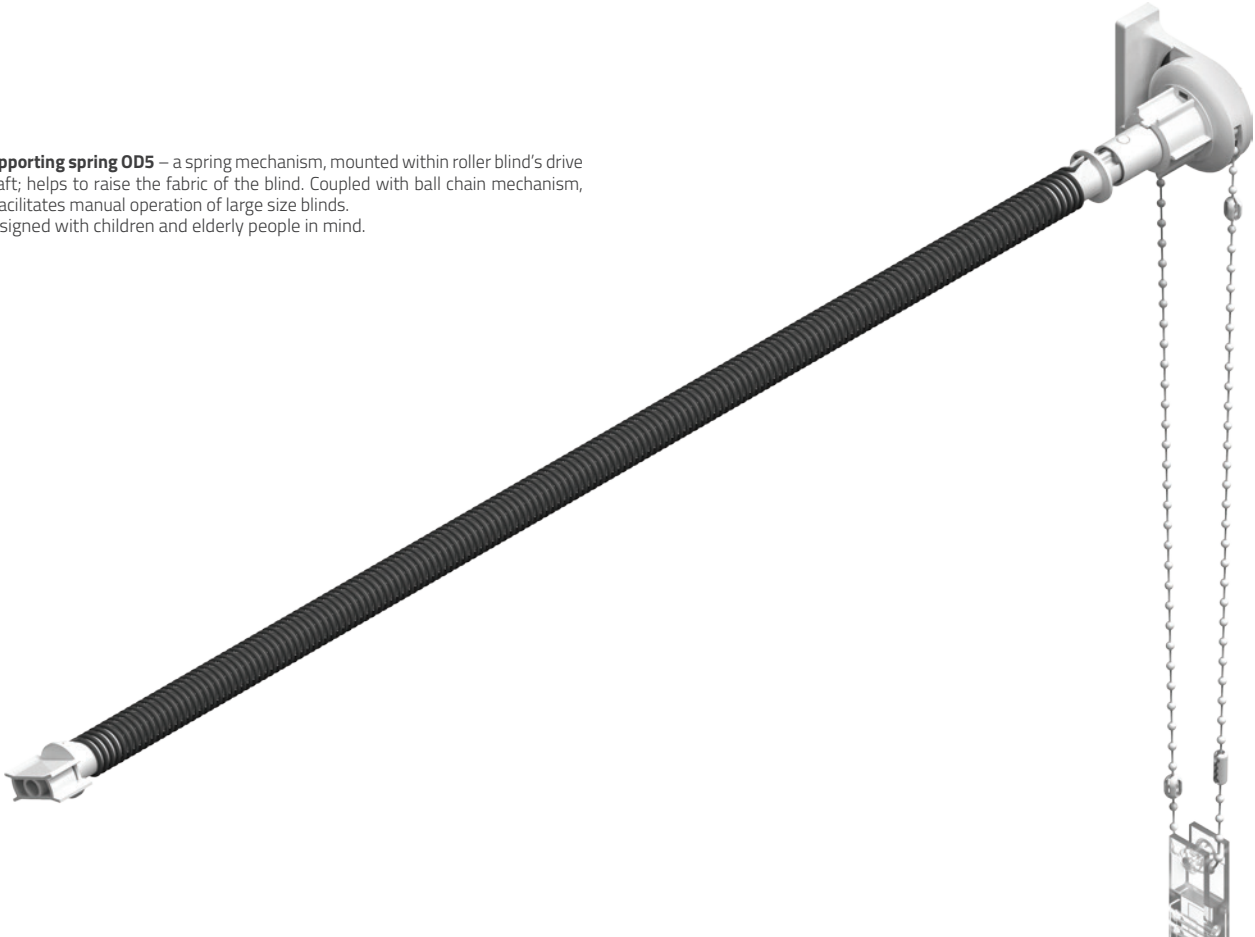
Please note: no ball chain weight with metal ball chain.

COLOUR	RM 40 metal bracket	RM 40+ metal bracket	RM 40 mounting profile	RM 40/40+ closed cassette	RM 40/40+ square cover	RM 40/40+ oval cover
white	✓	✓	✓	✓	✓	✓
cream	✓		✓			
brown						
silver anode				✓	✓	✓
grey	✓		✓	✓		
anthracite						
black	✓	✓	✓	✓		
any RAL colour			✓	✓	✓	✓

# RM 40 roller blind – operation

## RM 40 / RM 40+ Supporting spring – OD 5

**Supporting spring OD5** – a spring mechanism, mounted within roller blind's drive shaft; helps to raise the fabric of the blind. Coupled with ball chain mechanism, it facilitates manual operation of large size blinds. Designed with children and elderly people in mind.



Control on the left hand side (view from the inside); supporting spring in blue.

Control on the right hand side (view from the inside); supporting spring in black.

	300 - 860 mm	861 - 2500 mm
1000 - 4000 mm	not available	✓

# RM 40 roller blind – operation

## Spring mechanism

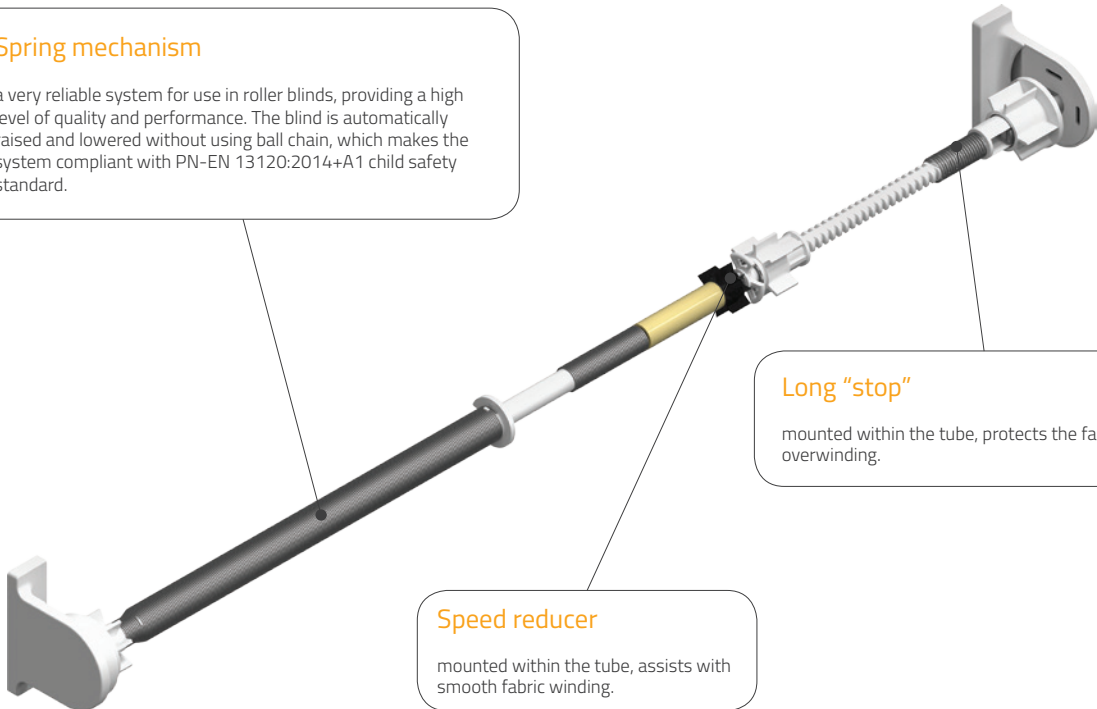


Maximum **height** of a roller blind with spring mechanism is 2200 mm.

The minimum **width** of the roller blind with spring mechanism is 700 mm.

### Spring mechanism

a very reliable system for use in roller blinds, providing a high level of quality and performance. The blind is automatically raised and lowered without using ball chain, which makes the system compliant with PN-EN 13120:2014+A1 child safety standard.



### Long "stop"

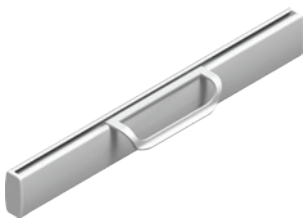
mounted within the tube, protects the fabric from overwinding.

### Speed reducer

mounted within the tube, assists with smooth fabric winding.

## Bottom bar – cords and handles

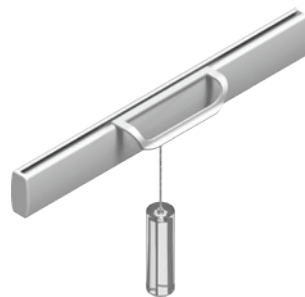
handle



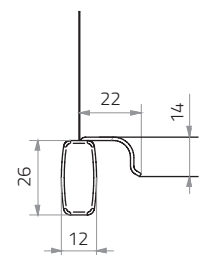
pull cord



handle + pull cord



handle dimensions



Bottom bar handle available in white only.



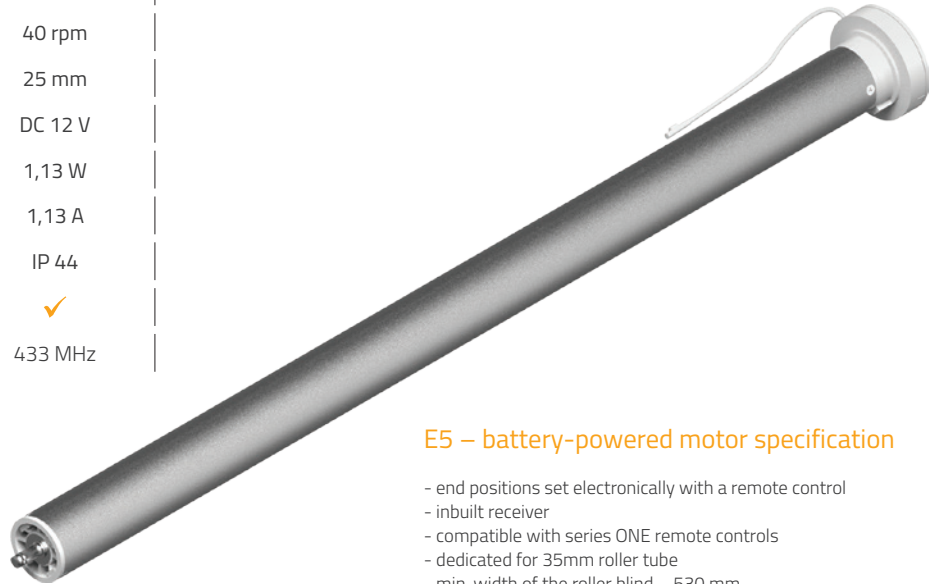
According to the requirements of PN-EN 13120:2014+A1 standard, the length of the pull cord should not exceed 20 cm.

	RM 40 metal handle	RM 40+ metal handle	RM 40 mounting profile	RM 40/40+ closed cassette	RM 40/40+ square cover	RM 40/40+ oval cover
PRICE LIST SYMBOL	not applicable	not applicable	OD 3	OD 4	not applicable	not applicable
white	not applicable	not applicable	✓	✓	not applicable	not applicable

# RM 40 – motors and control

## E5 – battery-operated, radio-controlled motor

Motor parameters	
Torque	1,1 Nm
RPM	40 rpm
Motor diameter	25 mm
Supply voltage	DC 12 V
Power	1,13 W
Amperage	1,13 A
IP class	IP 44
Inbuilt receiver	✓
Radio frequency	433 MHz



### E5 – battery-powered motor specification

- end positions set electronically with a remote control
- inbuilt receiver
- compatible with series ONE remote controls
- dedicated for 35mm roller tube
- min. width of the roller blind – 530 mm
- battery-powered (Li-ion battery built into the housing)
- easy mount – no need for power supply cable
- low power consumption results in extended operating time



### E5 battery-powered motor charger



### ONE series remote controls

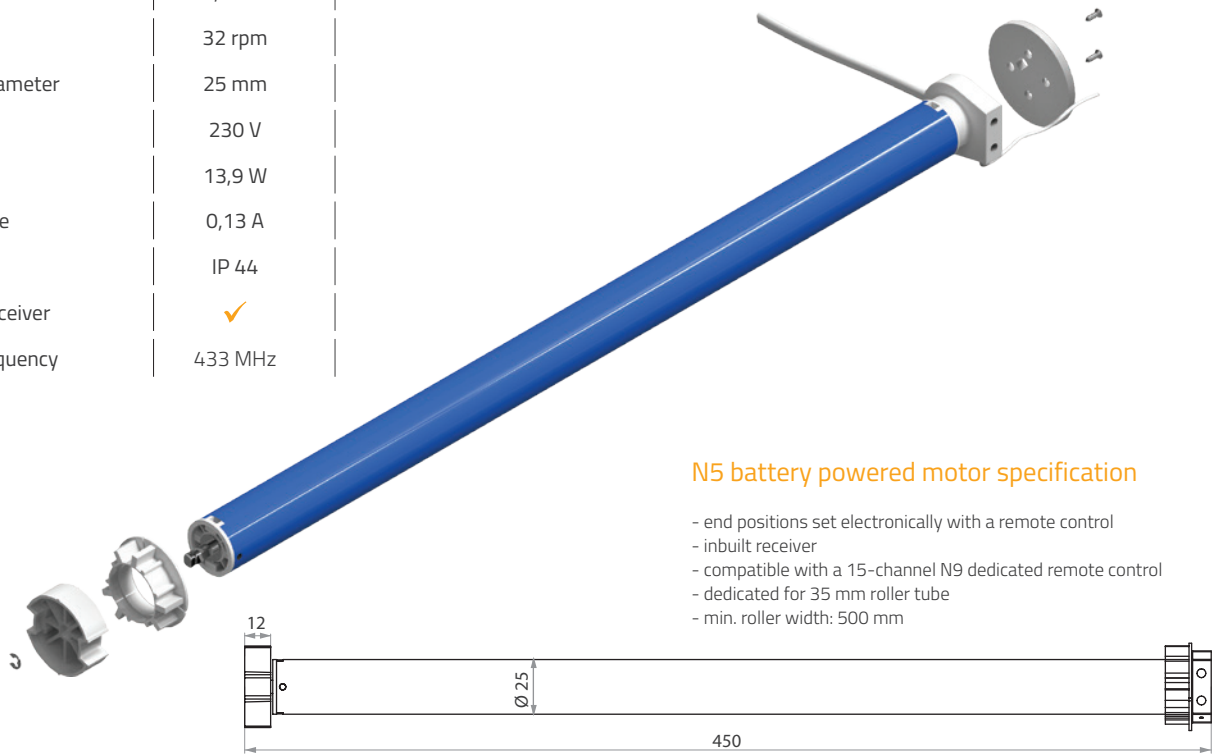


COLOUR	RM 40 metal handle	RM 40+ metal handle	RM 40 mounting profile	RM 40/40+ closed cassette	RM 40/40+ square cover	RM 40/40+ oval cover
white	✓		✓	✓		
cream	✓					
brown		not available			not available	not available
grey	✓			✓		
anthracite					not available	not available
black	✓			✓		
any RAL				✓		

# RM 40 – motors and control

## N5 radio-controlled electric motor

Motor parameters	
torque	1,5 Nm
RPM	32 rpm
motor diameter	25 mm
voltage	230 V
power	13,9 W
amperage	0,13 A
IP class	IP 44
inbuilt receiver	✓
radio frequency	433 MHz



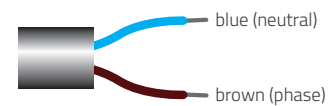
### N5 battery powered motor specification

- end positions set electronically with a remote control
- inbuilt receiver
- compatible with a 15-channel N9 dedicated remote control
- dedicated for 35 mm roller tube
- min. roller width: 500 mm

### ONE series remote controls



### Connection scheme



length of cable: 2 m

COLOUR	RM 40 metal bracket	RM 40+ metal bracket	RM 40 mounting profile	RM 40/40+ closed cassette	RM 40/40+ square cover	RM 40/40+ oval cover	
white	✓		✓	✓	✓	✓	
cream	✓						
brown		not available					
grey	✓			✓	✓	✓	
anthracite							
black	✓				✓	✓	✓
any RAL					✓	✓	✓





# RM 40 roller blind drives

## ELECTRIC DRIVES – 24 V

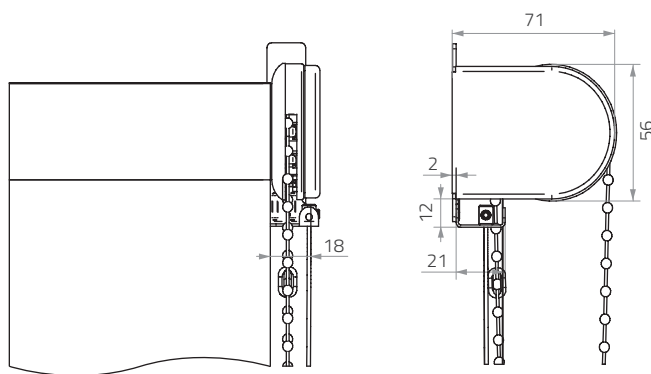
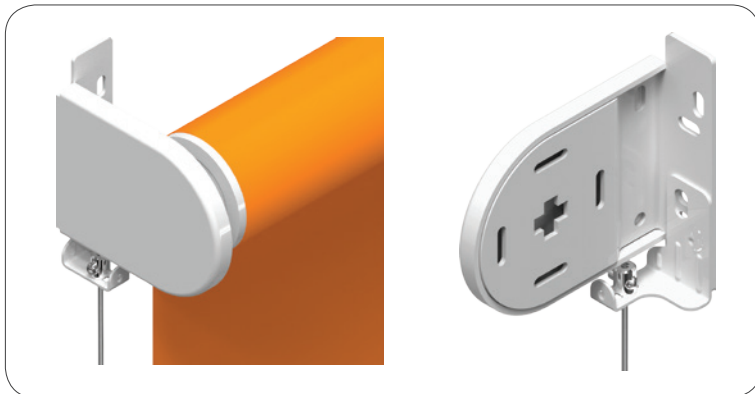
Type of drive		Nominal torque (Nm)	Nominal RPM	Nominal voltage (V)	Frequency (Hz)	Amperage (A)	Energy consumption (W)	IP protection class	Insulation class	Number of cores	Length of wire (m)	Total length (mm)	Length (mm)	Weight (kg)	Operation time (thermal protection) (min.)	Noise level (dB)	Operating temperature (°C)
somfy.	 <b>Sonesse 30 DCT 2/28</b>	2	28	24	DC	max 3,2	-	IP 30	III	2	-	406	398	0,49	2,5	< 44	0 do +60
	 <b>Sonesse 30 DC RTS 2/28</b>	2	28	24	DC	max 3,2	-	IP 30	III	2	-	406	398	0,49	2,5	< 44	0 do +60

## ELECTRIC DRIVES – 230 V

Type of drive		Nominal torque (Nm)	Nominal RPM	Nominal voltage (V)	Frequency (Hz)	Amperage (A)	Energy consumption (W)	IP protection class	Insulation class	Number of cores	Length of wire (m)	Total length (mm)	Length (mm)	Weight (kg)	Operation time (thermal protection) (min.)	Noise level (dB)	Operating temperature (°C)
somfy.	<b>Mercure LS 40 3/30</b>	3	30	230	50	max 0,4	80	IP 44	II	3	2,5	458	442	0,95	4	< 52	-10 do +60
	 <b>Sonesse 40 PA</b>	3	30	230	50	max 1,3	95	IP 44	II	3	2,5	476	462	1,25	5	< 42	0 do +60
elero	<b>VariEco S 5/30</b>	5	30	230	50	max 0,73	168	IP 44	II	4	2	534	518	1,2	4	39	-20 do +60
	<b>RolTop S 3/30</b>	3	30	230	50	max 0,55	130	IP 44	II	4	2	534	518	1,2	4	36	-20 do +60
somfy.	<b>Altus 40 RTS 3/30</b>	3	30	230	50	max 1,3	80	IP 44	II	2	3	497	473	b/d	4	b/d	0 do +60
	<b>Sonesse 40 RTS</b>	3	30	230	50	max 1,3	95	IP 44	II	2	2,5	517	503	1,22	5	< 42	0 do +60
elero	 <b>RolTop T 868</b>	5	30	230	50	max 0,73	168	IP 44	II	4	2	534	518	1,3	4	39	-20 do +60
	<b>RolTop S 868</b>	3	30	230	50	max 0,55	130	IP 44	II	4	2	534	518	1,2	5	36	-20 do +60

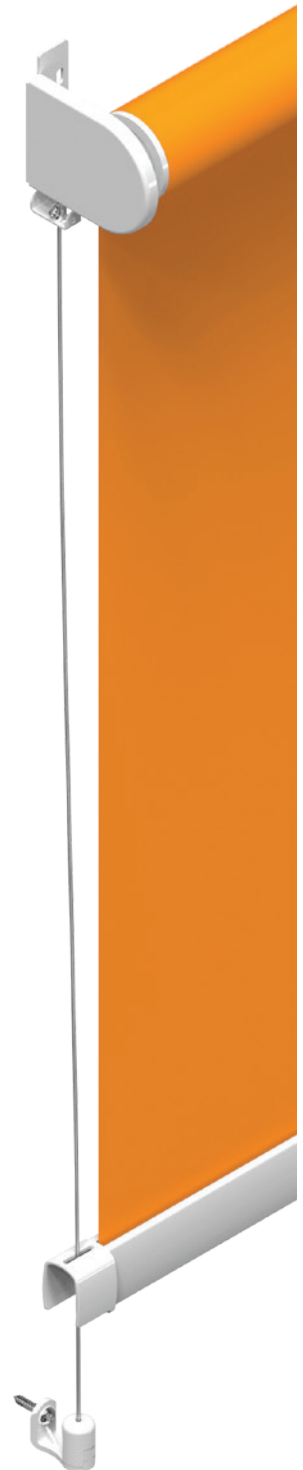
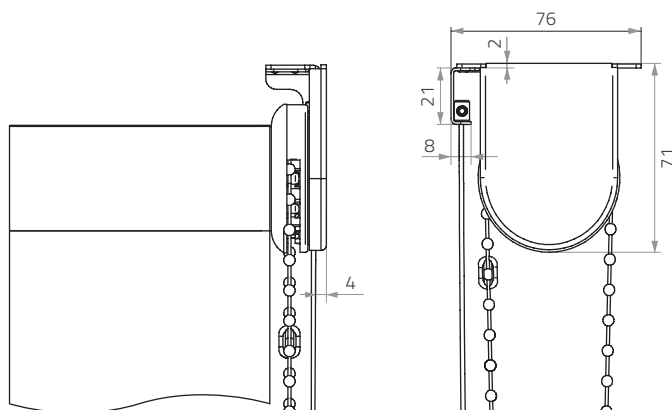
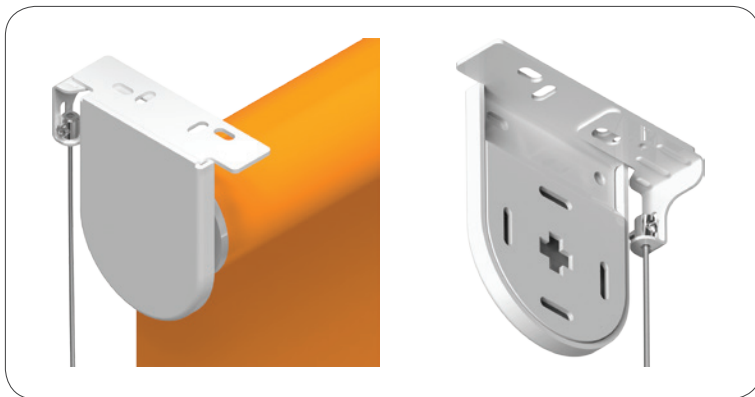
# RM 40/40+ – guide wire

## Fixing guide wire – wall mounting



Guide wire available with RM 40/40+ roller blind with metal bracket only.

## Fixing guide wire – top fixing

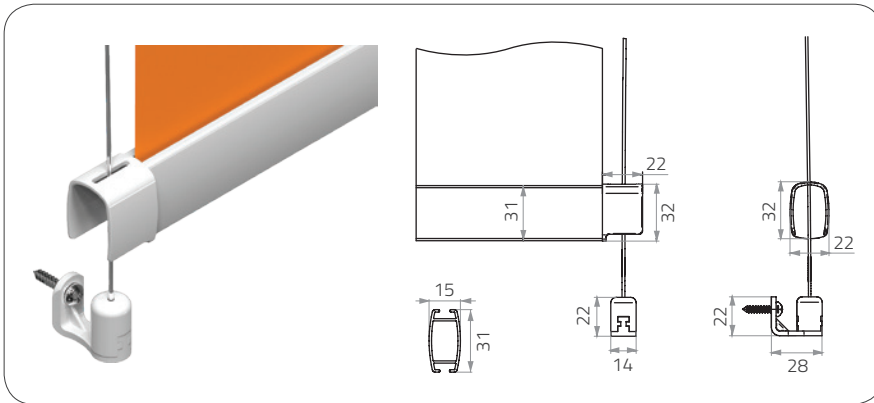


# RM 40/40+ – guide wire

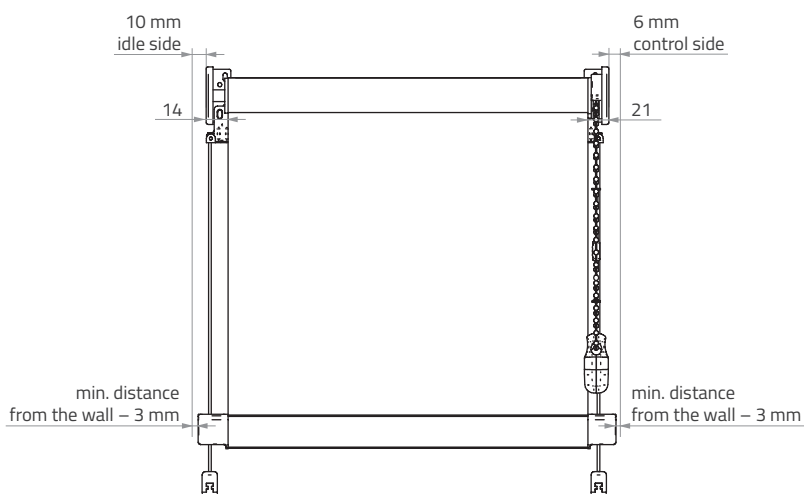
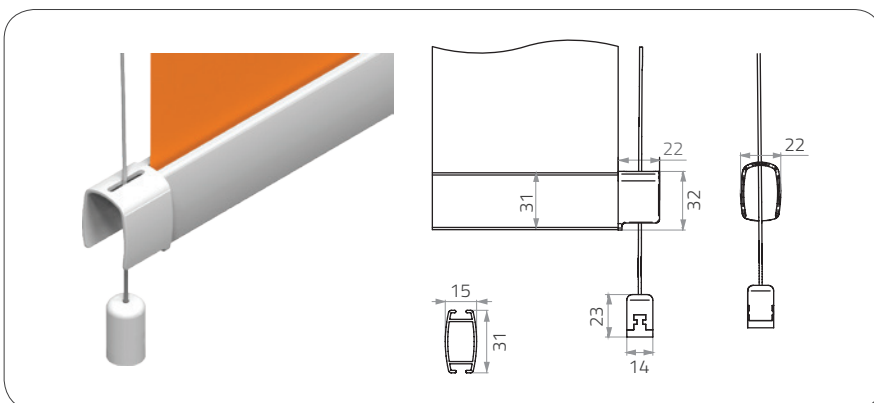
## Guide wire bracket (bracket A) - wall/window mounting



Steel wire available in 2 options:  
- 1 mm – PVC coated steel wire  
- 1,2 mm – PVC coated stainless steel wire



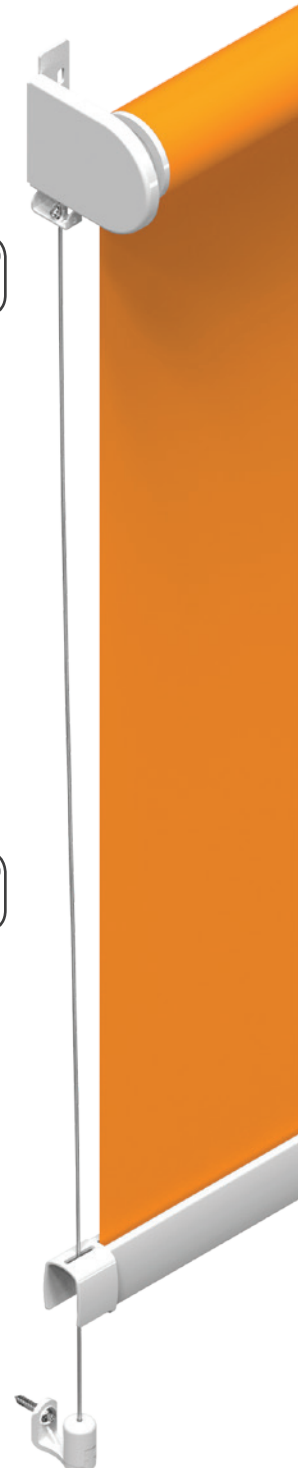
## Guide wire bracket (bracket B) - the floor/window sill mounting



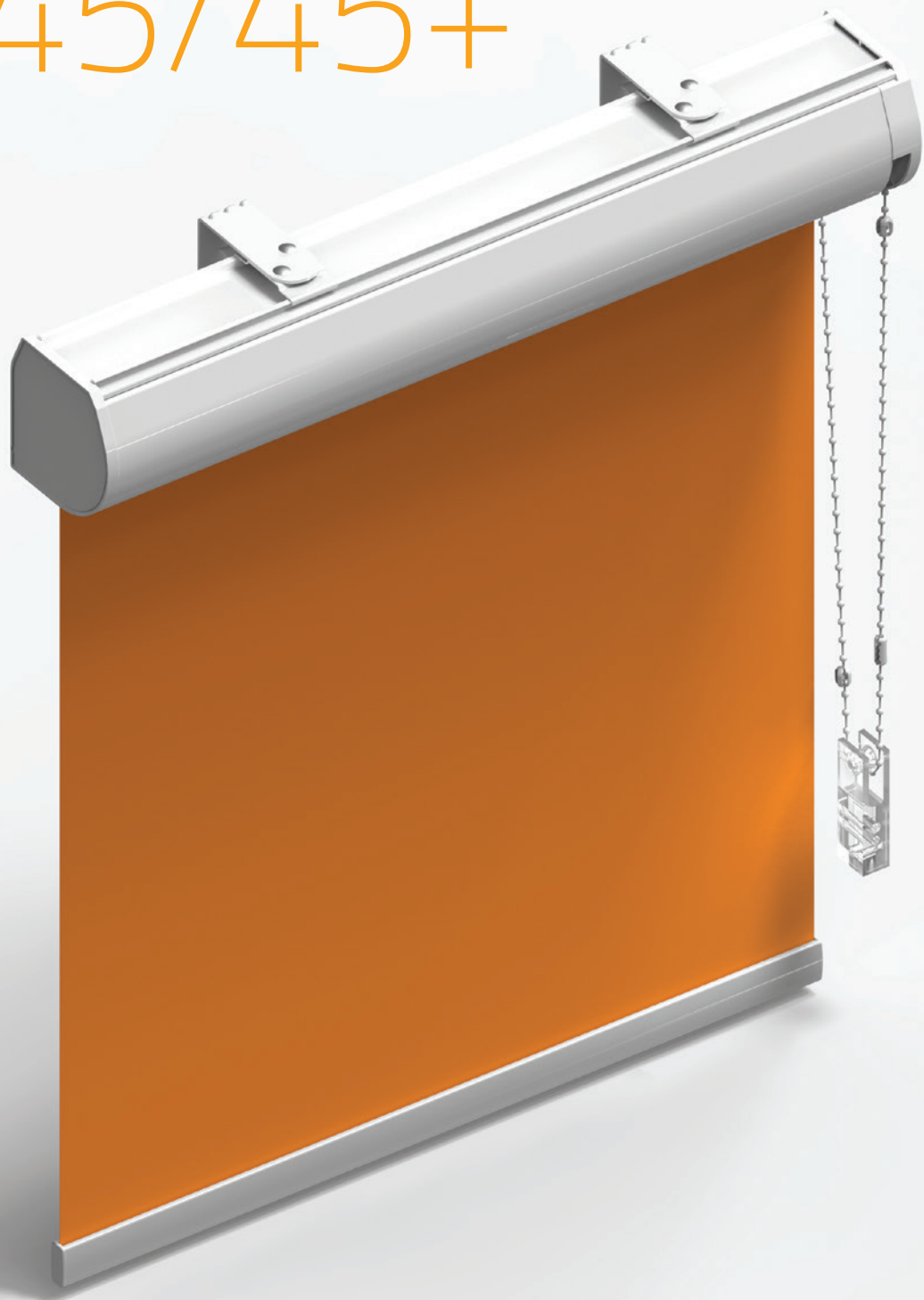
Please note: bottom bar is 10 mm wider than overall dimension



In cable guide, bottom weight dimensions are subject to change.



RM 45/45+



---

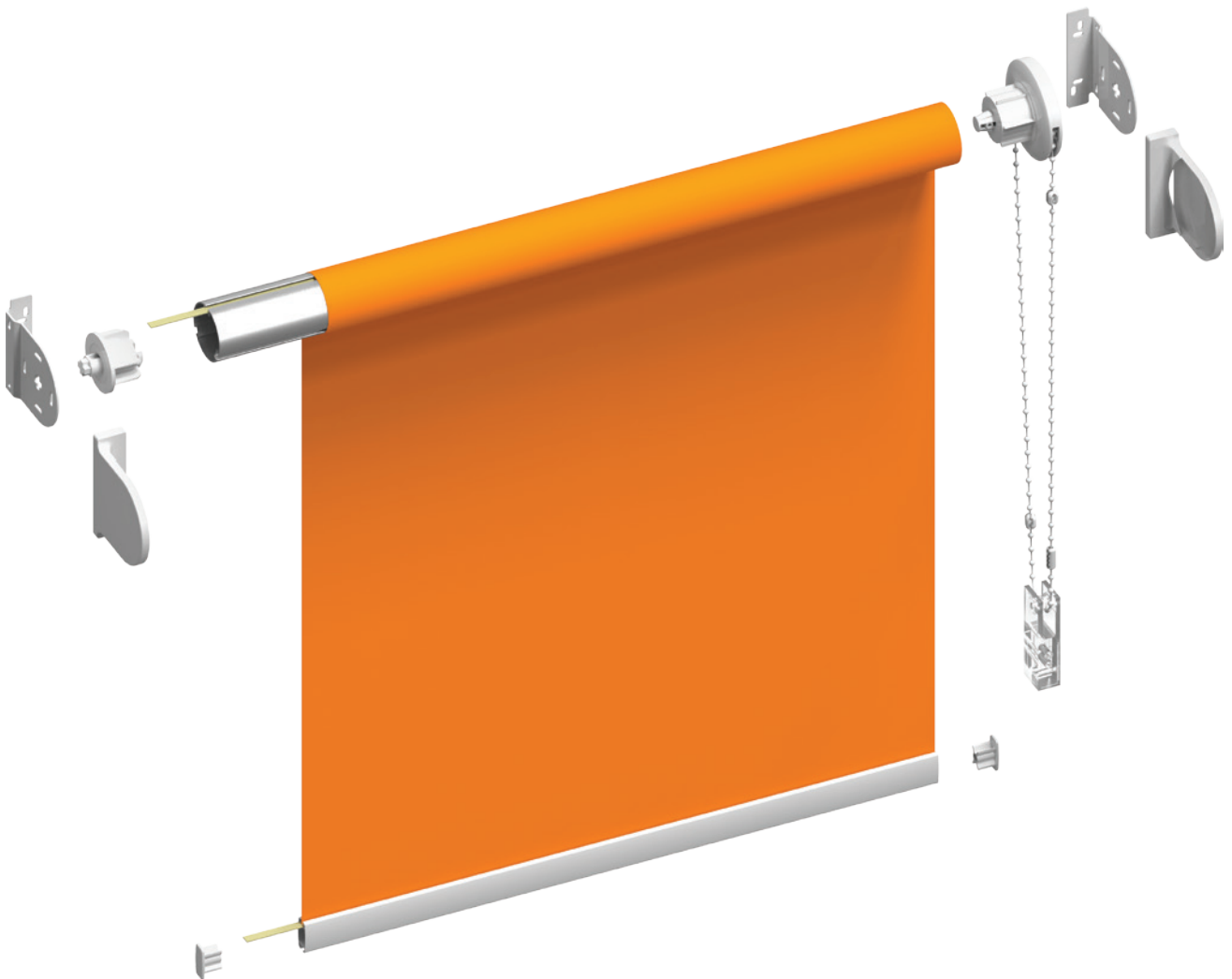
## RM 45 / 45+

---

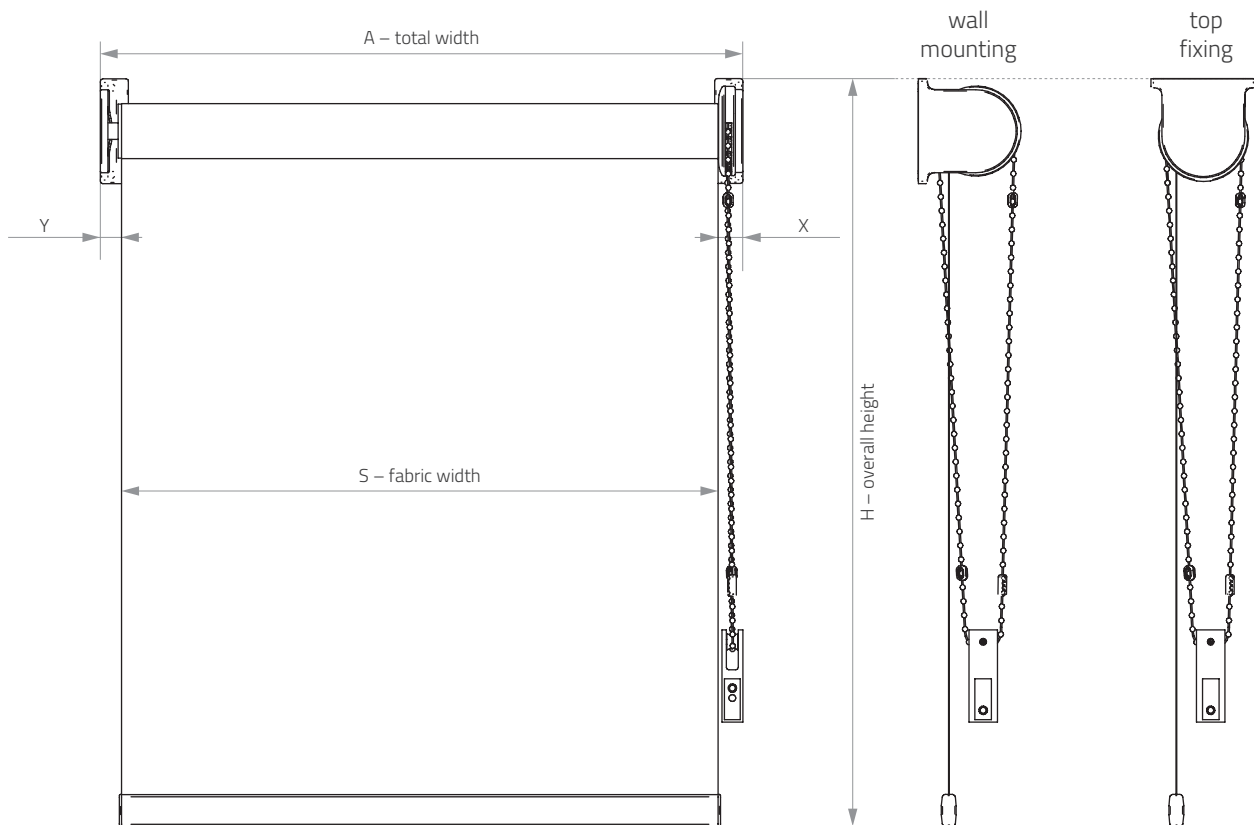
Dimensions	68 - 69
Fixing brackets	70 - 75
Cassettes / Covers	76
Cassette / cover fixing brackets	77 - 78
RM 45 / 45+ - Duo Link	80
RM 45 / 45+ - Multi Link	81
Control	82 - 83
Motors/drives and control	84 - 85
Guide wire system	86 - 87

## System RM 45/45+ Roller Blind System – dimensions

	max. width	max. height	max. total surface area
RM 45	3000 mm	5000 mm	15 m <sup>2</sup>
RM 45+	3500 mm	5000 mm	17,5 m <sup>2</sup>



# System RM 45/45+ Roller Blind System – dimensions



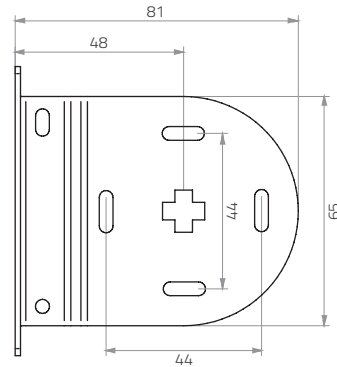
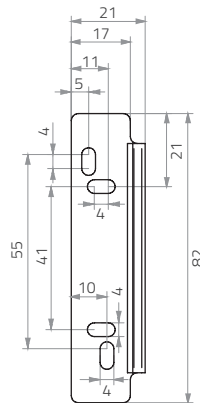
Depending on measurements taken, the client provides one width dimension only: (A or S).

## The difference between overall width and fabric width

	RM 45 metal bracket	RM 45+ metal bracket	RM 45 mounting profile	RM 45 / 45+ closed cassette	RM 45 / 45+ square cover	RM 45 / 45+ oval cover
TOTAL	40 mm	40 mm	40 mm	40 mm	40 mm	40 mm
Control End X	24 mm	24 mm	24 mm	24 mm	24 mm	24 mm
Idle End Y	16 mm	16 mm	16 mm	16 mm	16 mm	16 mm

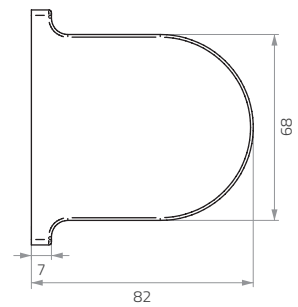
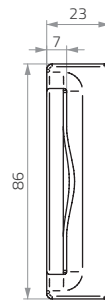
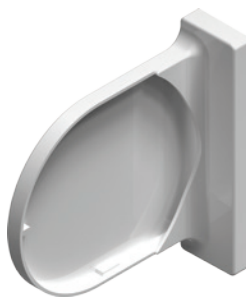
# RM 45/45+ – fixing brackets

## RM 45 metal bracket

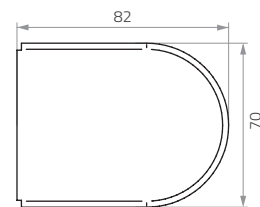


colours available: white, cream, grey, black

## Handle cover type 1



## Handle cover type 2

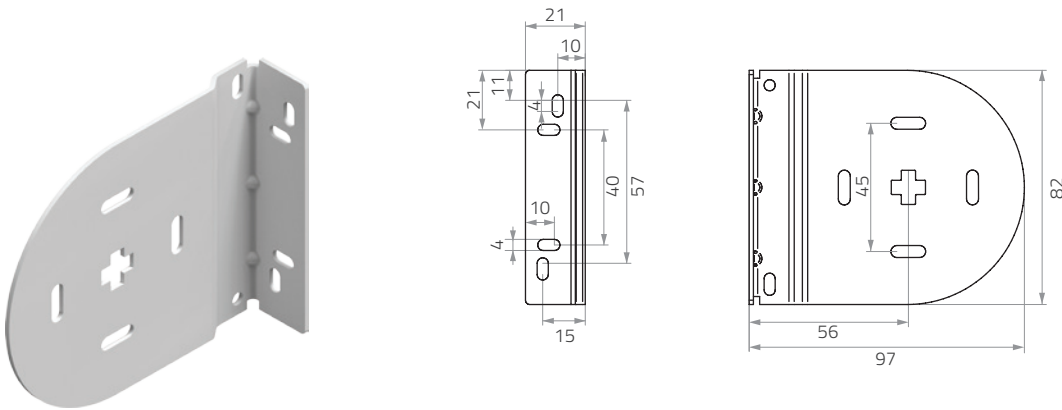


	RM 45 metal bracket	RM 45 metal bracket + side guide	RM 45+ metal bracket	Extension bracket
Handle cover type 1	✓			not available
Handle cover type 2		✓	✓	not available



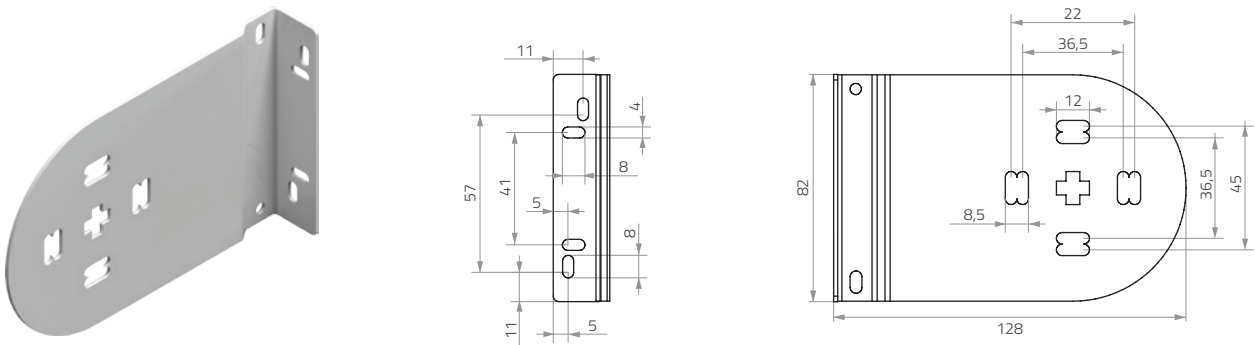
# RM 45/45+ – fixing brackets

## RM 45+ metal bracket



colours available: white, black

## Extension bracket – OD 11 (RM 45)

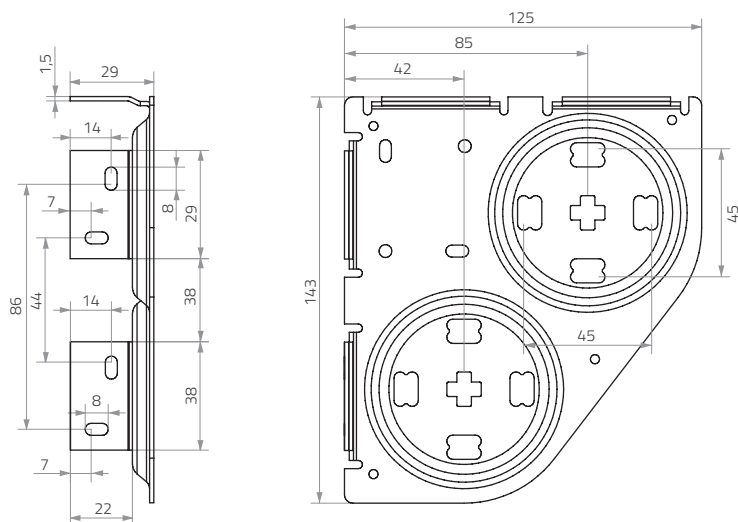


Please note: extension brackets do not come with covers.

colours available: white

# RM 45/45+ – fixing brackets

OD 12 (RM 40, RM 40+) Double bracket



colours available: white, grey, black



# RM 45 fixing brackets

## OS 1 Mounting profile

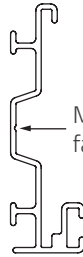


Please note: mounting plate is used with metal bracket only.

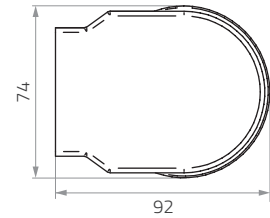
Three ways of mounting the roller blind:

mounting plate fixed with screws:

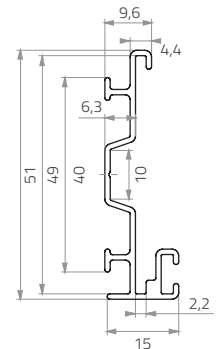
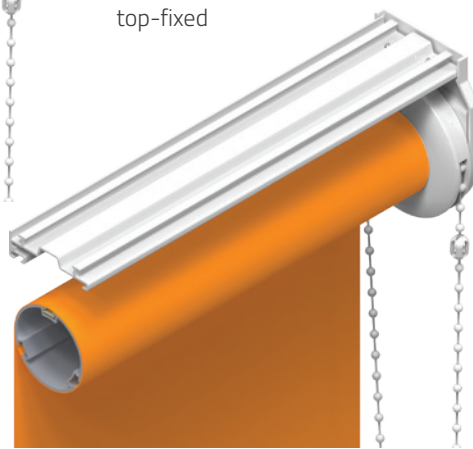
wall-mounted



Mounting profile fastening point

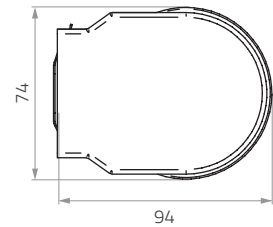


top-fixed

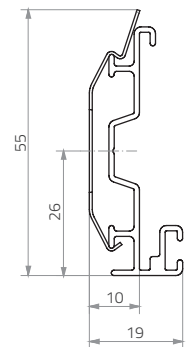
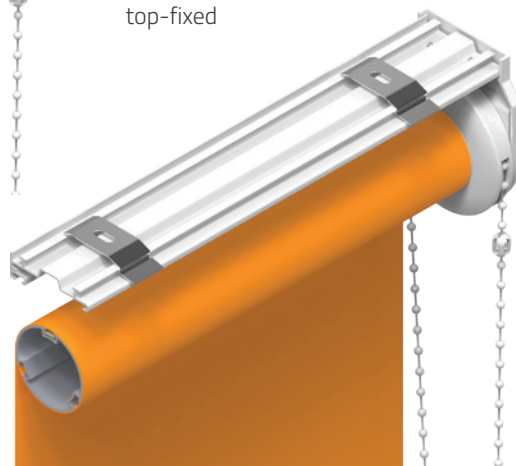


clip-fixed mounting profile:

wall-mounted

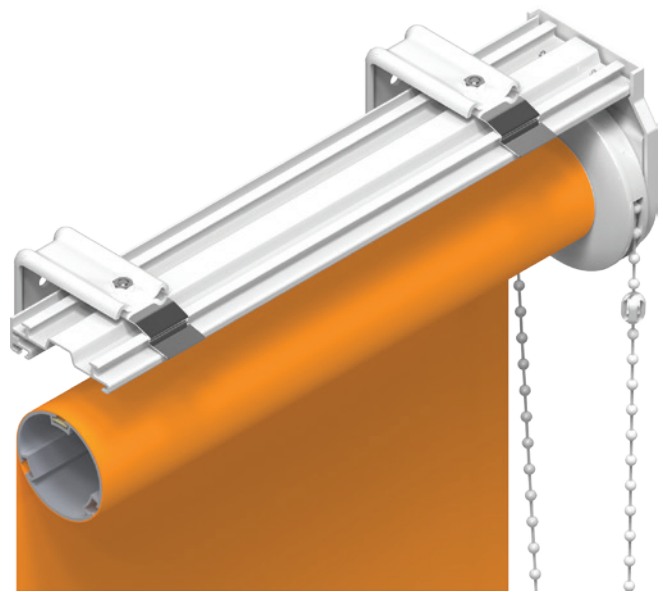
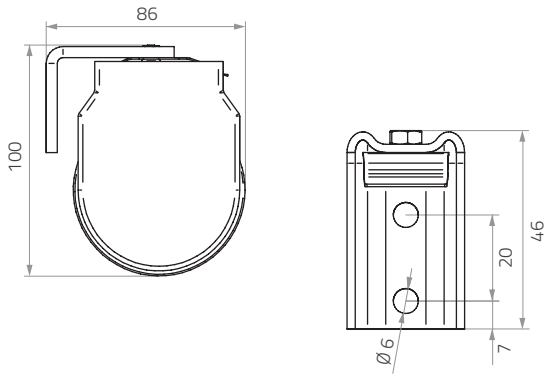


top-fixed



# RM 45 fixing brackets

wall bracket-fixed mounting profile



Please note: only zinc-coated mounting profile clips are available.

colours available: white, cream, grey, black, any RAL colour

## Recommended number of brackets / mounting profile fixing points in blinds of different width


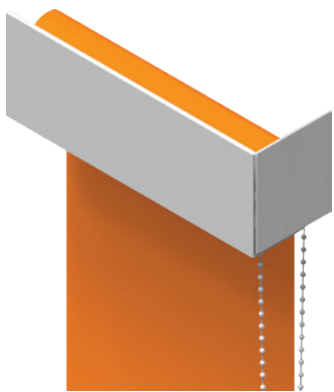

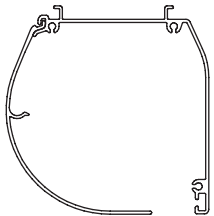

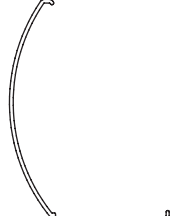
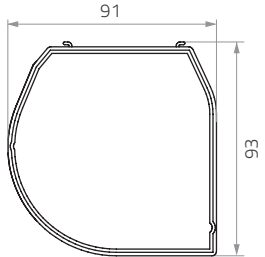
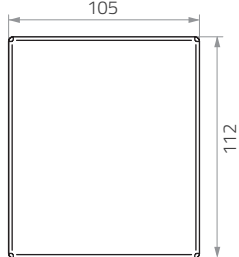
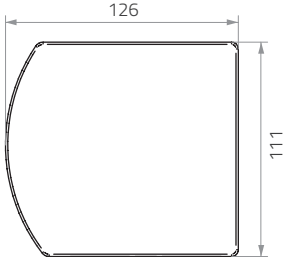


≤ 1000 mm	1001 - 1500 mm	1501 - 2000 mm	2001 - 2500 mm
2	3	4	5



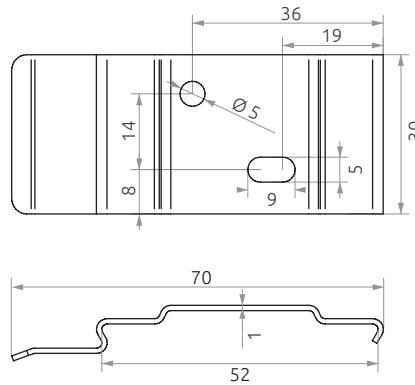
\* Concerns fixing on the side of control mechanism.

# RM 45/45+ Roller Blind System – cassettes and covers

	Closed cassette RM 45/45+	Square cover RM 40/45+	Oval cover RM 40/45+
			
Cassette cross section			
Cassette with side cover - cross section			
Ball chain mechanism	white, grey, black, any RAL colour	white, grey, any RAL colour	white, grey, any RAL colour
Electric drive	white, grey, black, any RAL colour	white, grey, any RAL colour	white, grey, any RAL colour
PRICE LIST SYMBOL	OS 5	OS 8	OS 9

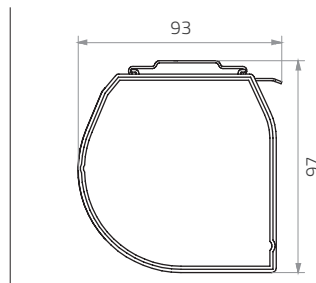
# RM 45/45+ Roller Blind system – fixing components

## Clip bracket (top fixing)

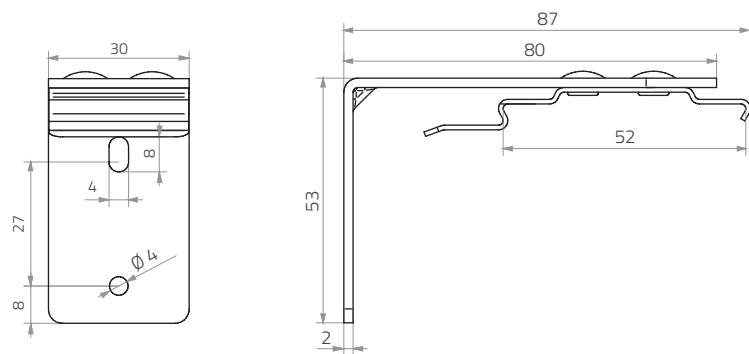


colours available: white, grey, black, any other RAL colour

RM 45/45+ closed cassette

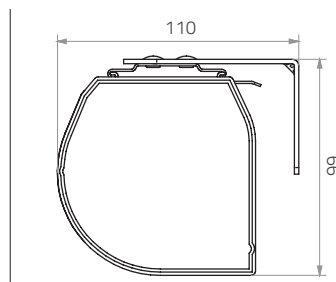


## Clip angle bracket – closed cassette (wall mounting)



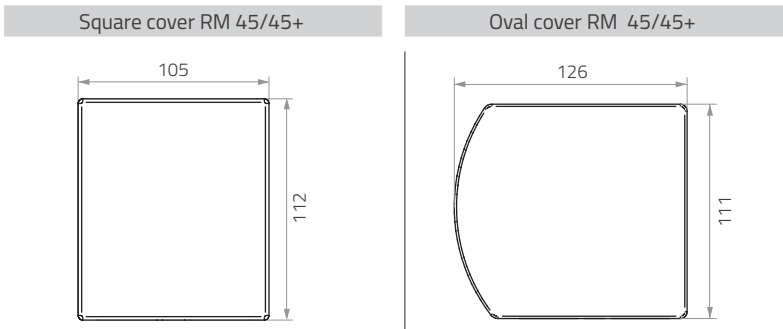
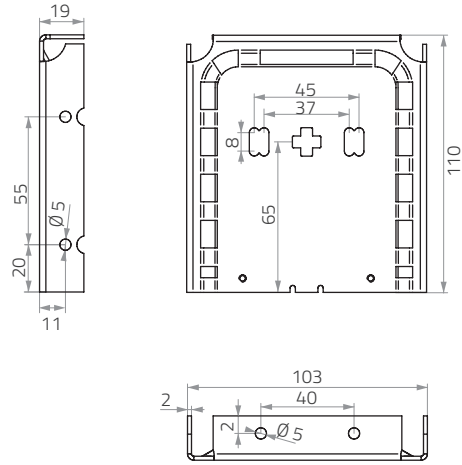
colours available: white, grey, black, any other RAL colour

Closed cassette 45/45+



# RM 45/45+ Roller Blind system – fixing components

## Square / oval cover bracket (universal)



colours available: white, grey, any other RAL colour





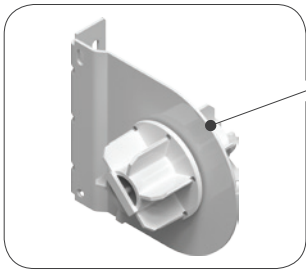
# RM 45/45+ – Duo Link Roller Blind System

## Duo Link – OD 8

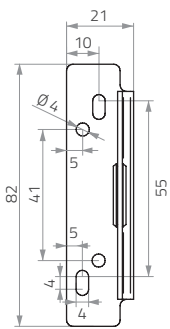
**Duo Link** allows to join two roller blinds controlled by independent drives. The blinds may be of different lengths and heights.

The set includes an intermediate bracket (joining the blinds at the intermediate point) as well as dedicated plunger ends.

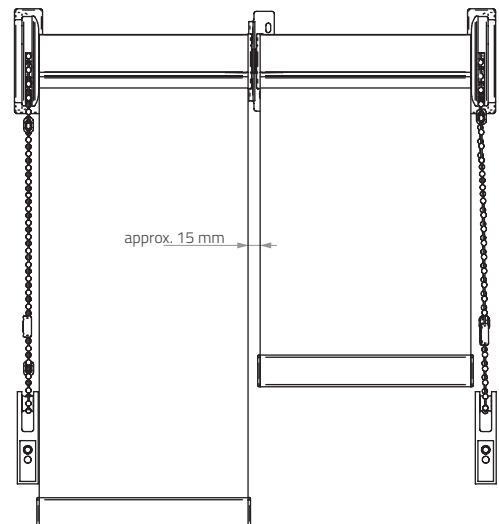
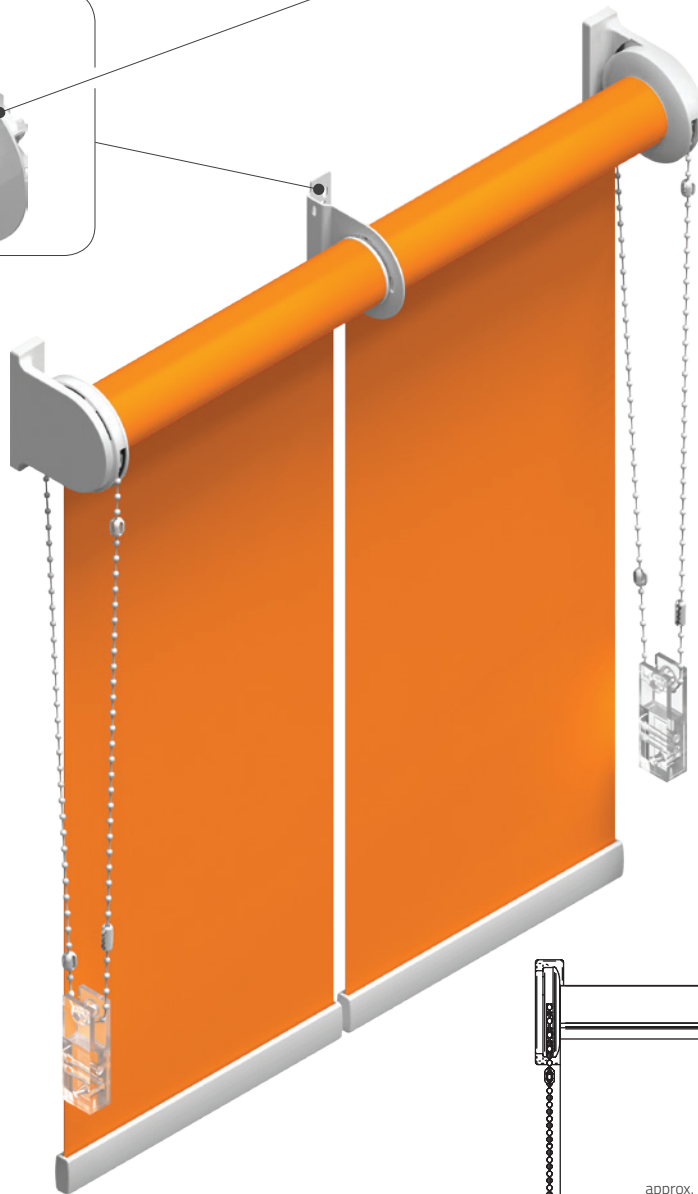
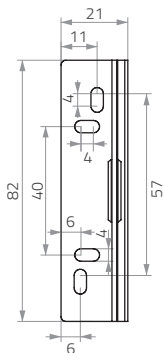
**Please note:** no possibility to mount side control operating unit on the connecting bracket.



Connecting bracket  
**RM 45**  
(intermediate)



Connecting bracket  
**RM 45+**  
(intermediate)



colours available **RM 45**:  
white, cream, grey, black

colours available **RM 45+**:  
white, black

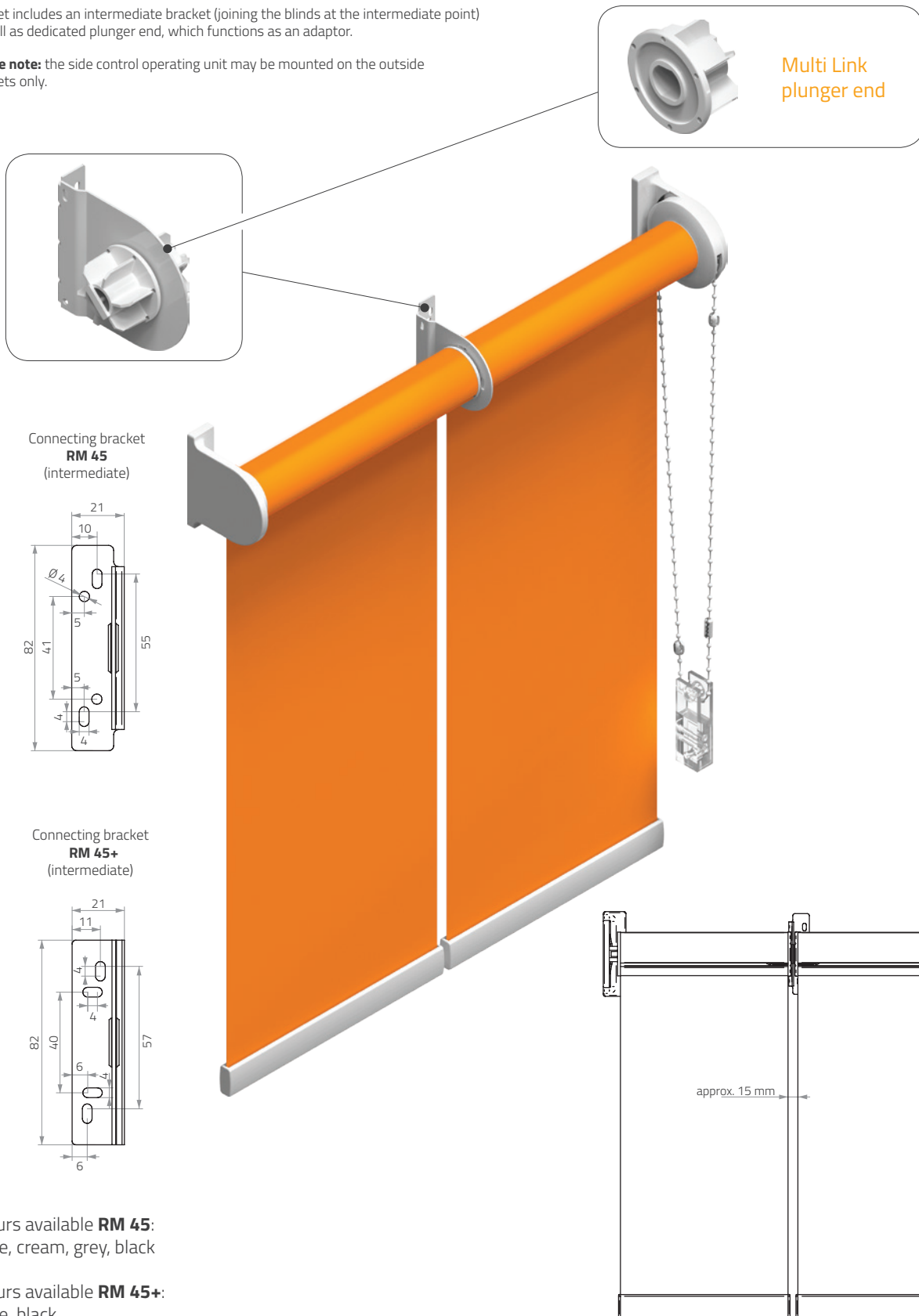
# RM 45/45+ – Multi Link Roller Blind System

## Multi Link – OD 7

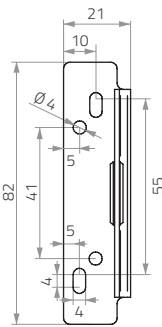
**Multi Link** allows to join two or more roller blinds controlled by a common drives. The blinds may be of different widths, but **the same height**.

The set includes an intermediate bracket (joining the blinds at the intermediate point) as well as dedicated plunger end, which functions as an adaptor.

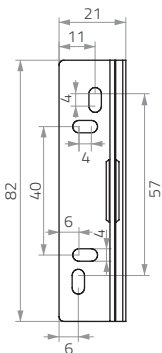
**Please note:** the side control operating unit may be mounted on the outside brackets only.



Connecting bracket  
**RM 45**  
(intermediate)



Connecting bracket  
**RM 45+**  
(intermediate)

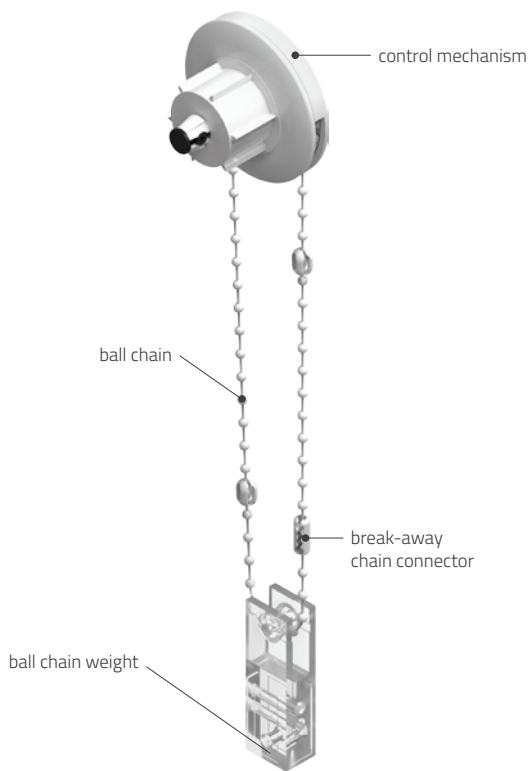


colours available **RM 45**:  
white, cream, grey, black

colours available **RM 45+**:  
white, black

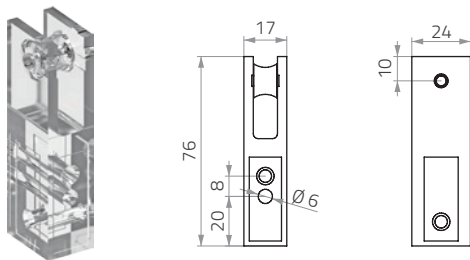
# RM 45/45+ roller blind – operation

## Ball chain mechanism



## Safety cleat

used in metal ball chain



## Types of ball chain

### PVC ball chain



ball diameter: 4,5 mm



break-away chain connector (PVC ball chain element) is fully compliant with PN-EN 13120:2014+A1 safety standard

### metal ball chain (optional feature)



ball diameter: 4,5 mm



safety cleat (metal ball chain element) is fully compliant with PN-EN 13120:2014+A1 safety standard

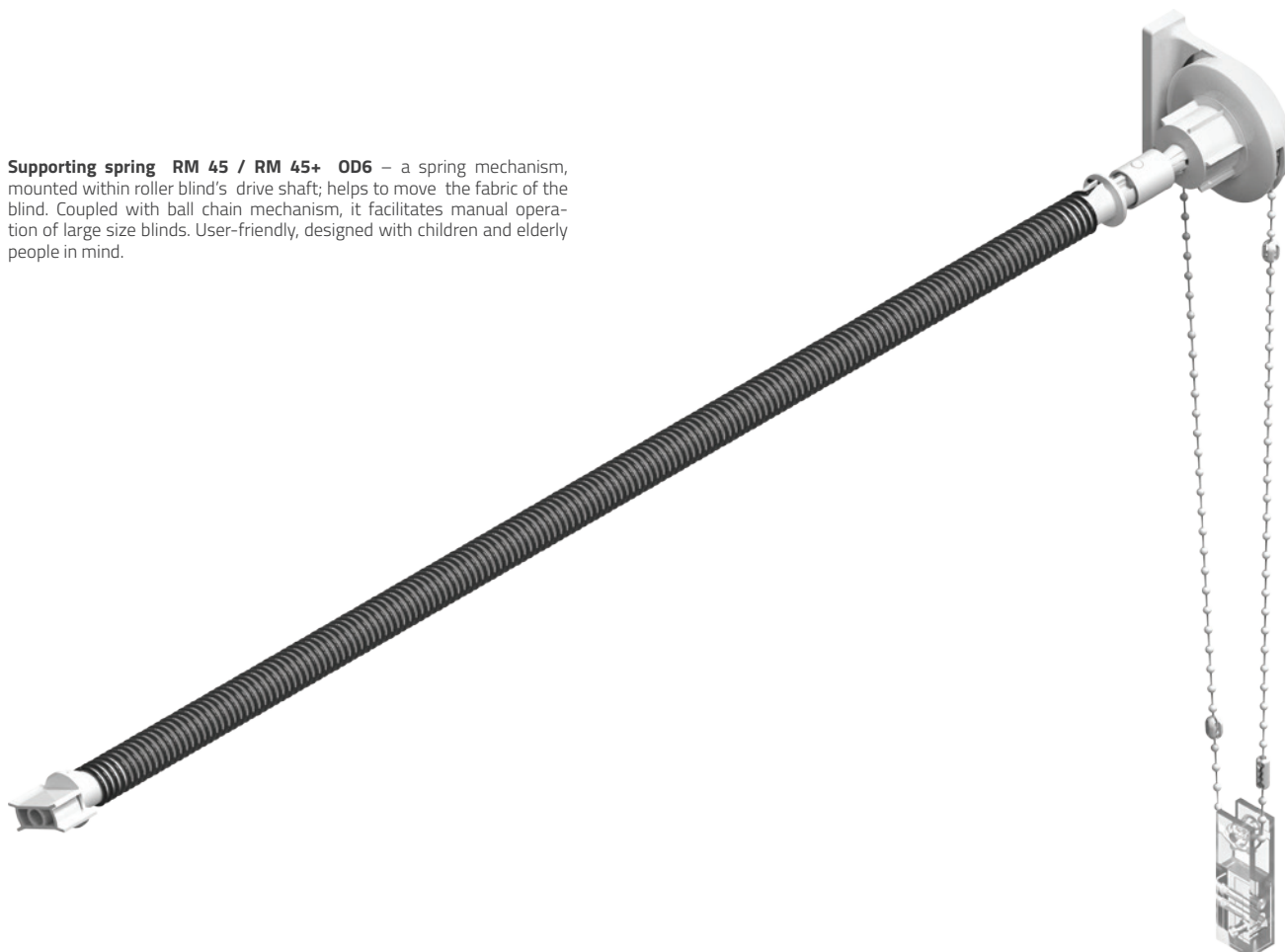
Please note: no ball chain weight with metal ball chain.

COLOUR	RM 45 metal bracket	RM 45+ metal bracket	RM 45 mounting profile	RM 45 / 45+ closed cassette	RM 45 / 45+ square cover	RM 45 / 45+ oval cover
white	✓	✓	✓	✓	✓	✓
cream	✓					
brown						
grey	✓			✓	✓	✓
anthracite						
black	✓	✓		✓		
any RAL				✓	✓	✓

# Supporting spring RM 45 / RM 45+ – operation

## Supporting spring RM 45 / RM 45+ OD6

**Supporting spring RM 45 / RM 45+ OD6** – a spring mechanism, mounted within roller blind's drive shaft; helps to move the fabric of the blind. Coupled with ball chain mechanism, it facilitates manual operation of large size blinds. User-friendly, designed with children and elderly people in mind.



Control on the left hand side (view from the inside); supporting spring in blue.

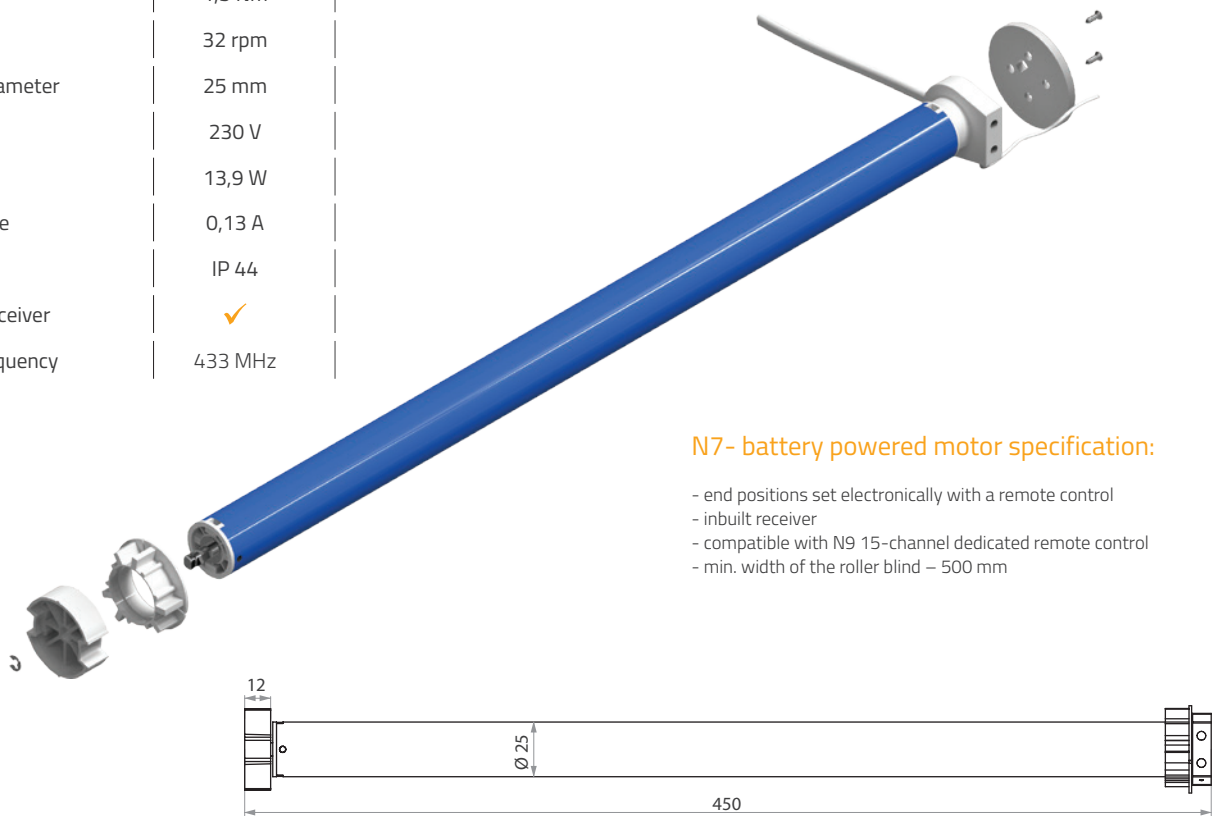
Control on the right hand side (view from the inside); supporting spring in black.

	RM 45 / RM 45+	RM 45	RM 45+
	300 - 860 mm	861 - 3000 mm	861 - 3500 mm
1000 - 5000 mm	not applicable	✓	✓

# RM 45 – motors and control

## N7 Radio-controlled electric motor

Motor parameters	
torque	1,5 Nm
RPM	32 rpm
motor diameter	25 mm
voltage	230 V
power	13,9 W
amperage	0,13 A
IP class	IP 44
inbuilt receiver	✓
radio frequency	433 MHz



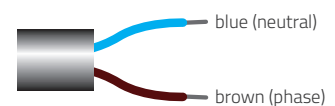
### N7- battery powered motor specification:

- end positions set electronically with a remote control
- inbuilt receiver
- compatible with N9 15-channel dedicated remote control
- min. width of the roller blind – 500 mm

### N 9 – 15-channel remote control



### Connection scheme





length of cable: 2 m

COLOUR	RM 45 metal handle	RM 45+ metal handle	RM 45 mounting profile	RM 45 / 45+ closed cassette	RM 45 / 45+ square cassette	RM 45 / 45+ oval cassette
white	✓		✓	✓	✓	✓
cream						
brown		not available				
grey	✓			✓	✓	✓
anthracite						
black					✓	
any RAL				✓	✓	✓

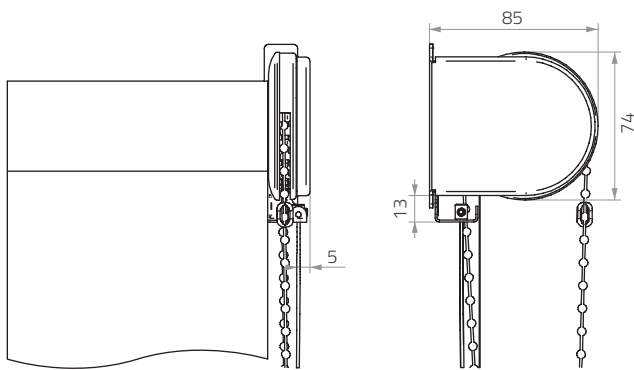
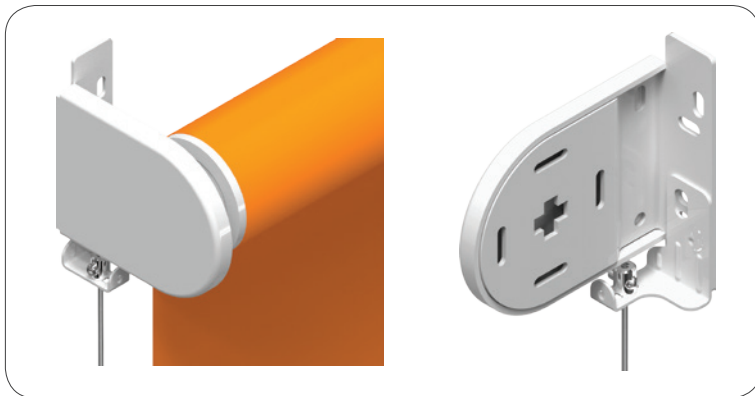
# RM 45 roller blind drives

## ELECTRIC DRIVES – 24V

Type of drive		Nominal torque (Nm)	Nominal RPM (obr./min.)	Nominal voltage (V)	Frequency (Hz)	Amperage (A)	Energy consumption (W)	IP protection class	Insulation class	Number of cores	Length of wire (m)	Total length (mm)	Length (mm)	Weight (kg)	Operation time (thermal protection) (min.)	Noise level (dB)	Operating temperature (°C)
somy.	 <b>Sonesse 30 DCT 2/28</b>	2	28	24	DC	max 3,2	–	IP 30	III	2	–	406	398	0,49	2,5	< 44	0 do +60
	 <b>Sonesse 30 DC RTS 2/28</b>	2	28	24	DC	max 3,2	–	IP 30	III	2	–	406	398	0,49	2,5	< 44	0 do +60

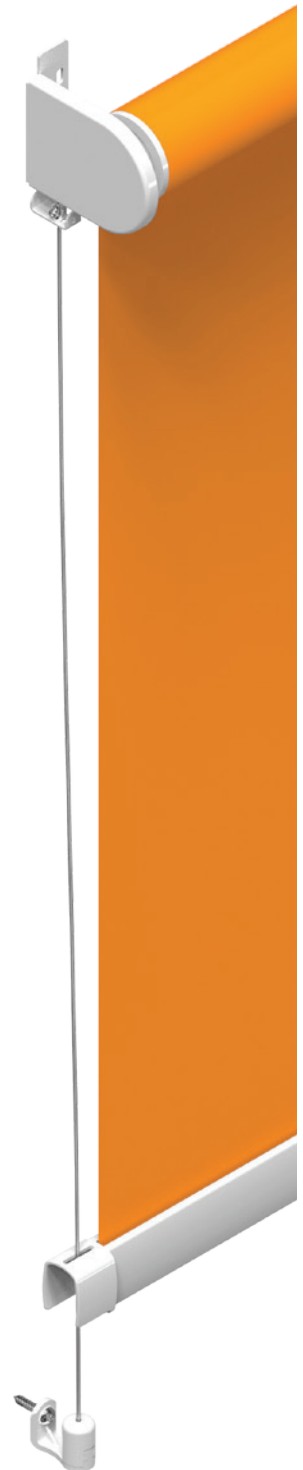
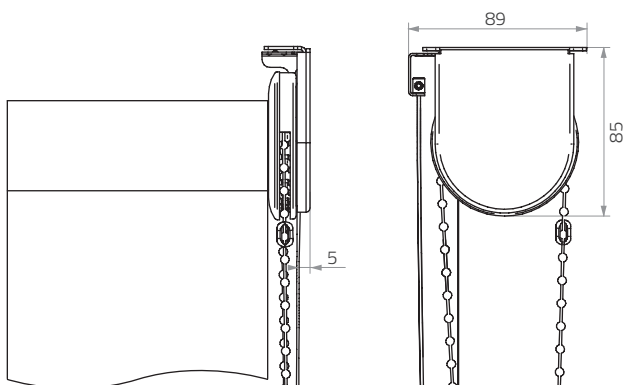
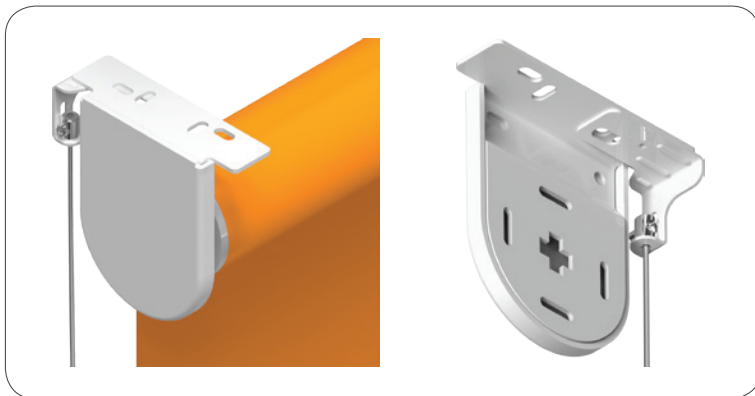
# RM 45/45+ – guide wire

## Fixing guide wire – wall mounting



Guide wire available with RM 45/45+ roller blind with metal bracket only.

## Fixing guide wire – top fixing



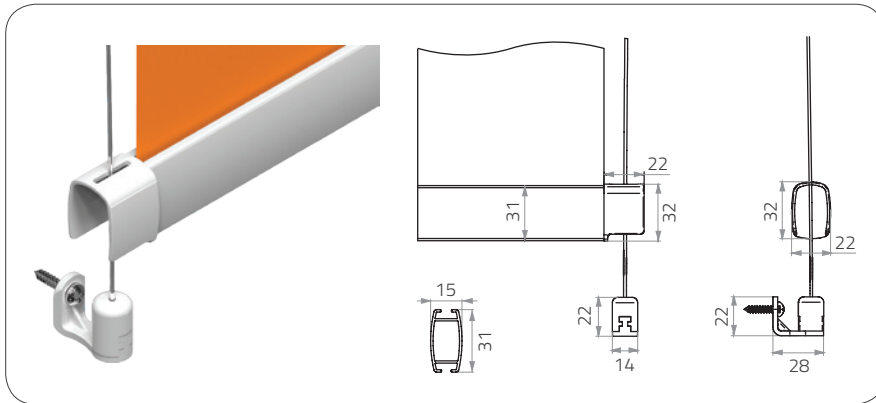


# RM 45/45+ – guide wire

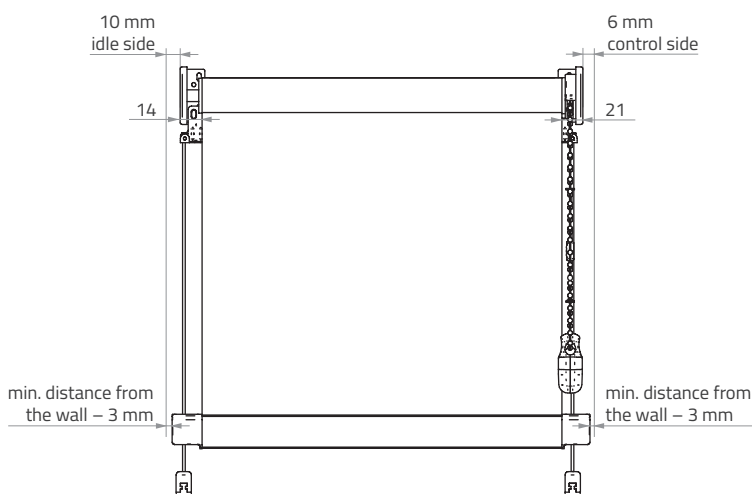
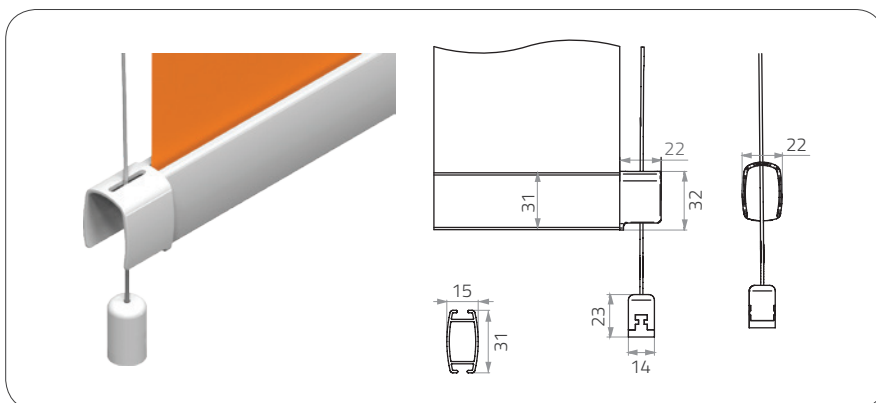
## Guide wire bracket (bracket A) - wall/window mounting



Steel wire available in 2 options:  
- 1 mm – PVC coated steel wire  
- 1,2 mm – PVC coated stainless steel wire



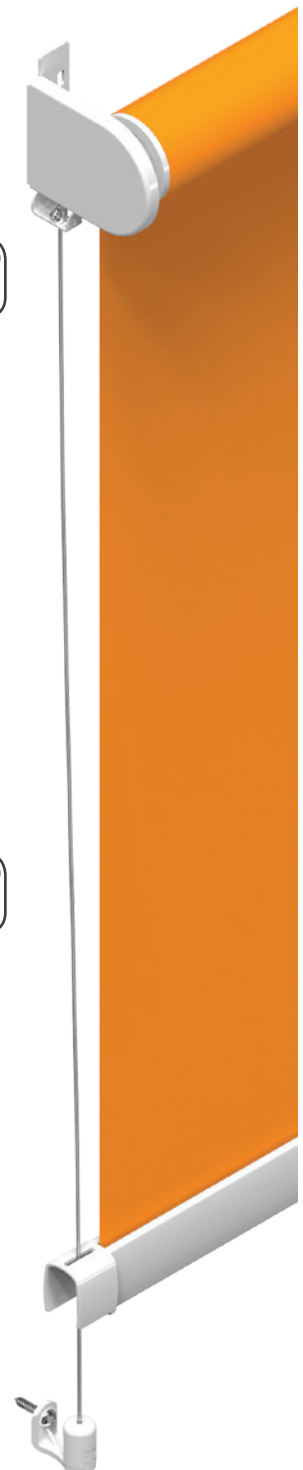
## Guide wire bracket (bracket B) - wall/window sill mounting



Please note: bottom bar is 10 mm wider than overall dimension



In cable guide, bottom weight dimensions are subject to change.



RM 55



---

## RM 55

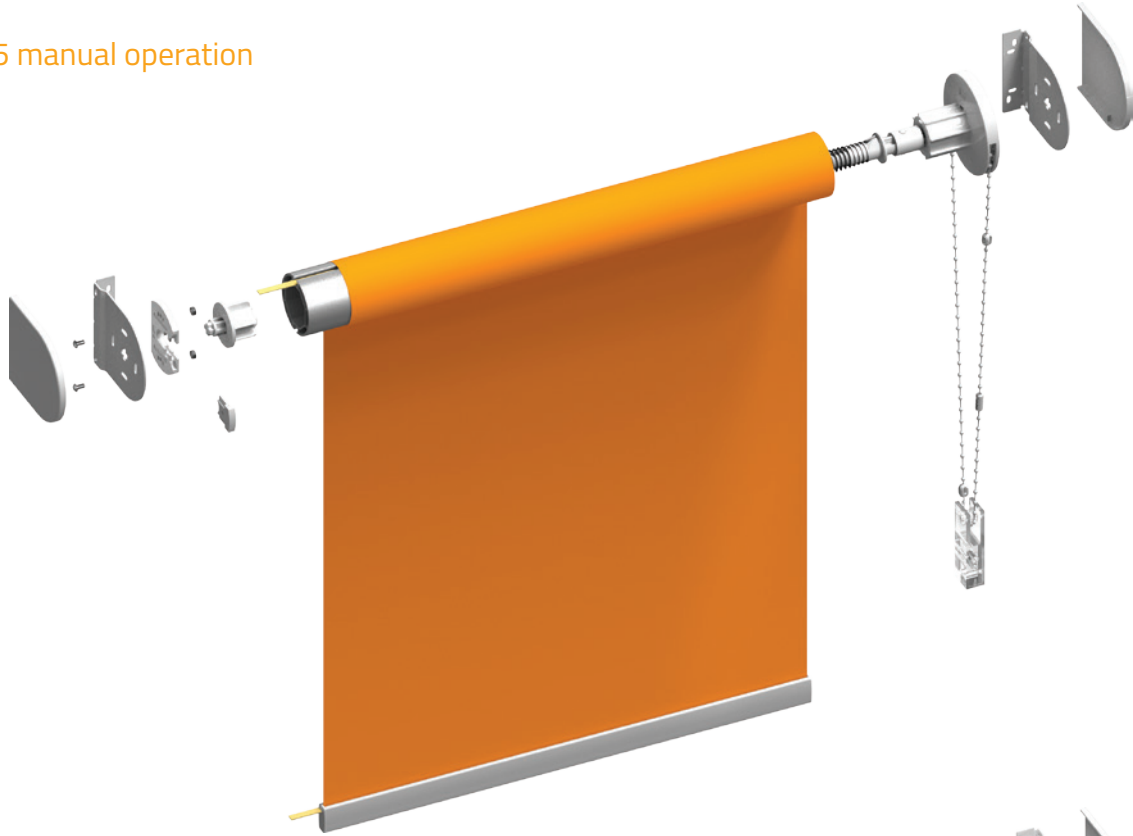
---

Dimensions	90 - 91
Fixing brackets	92
Cassette	92
Cassette fixing brackets	93
Control	94 - 95
Motors/drives and control	96 - 97
Guide wire system	98 - 99

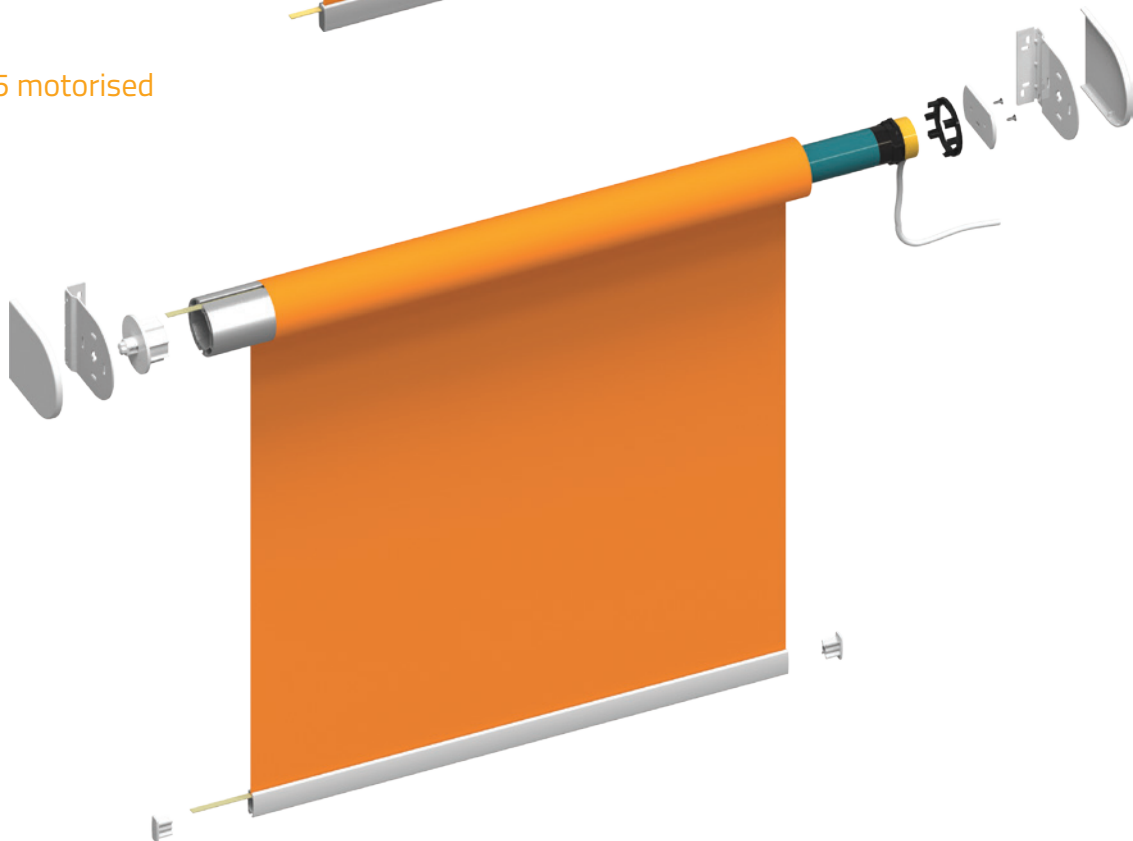
# System RM 55 Roller Blind System – dimensions

	max. width	max. height	max. total surface area
RM 55	4000 mm	5000 mm	20 m <sup>2</sup>

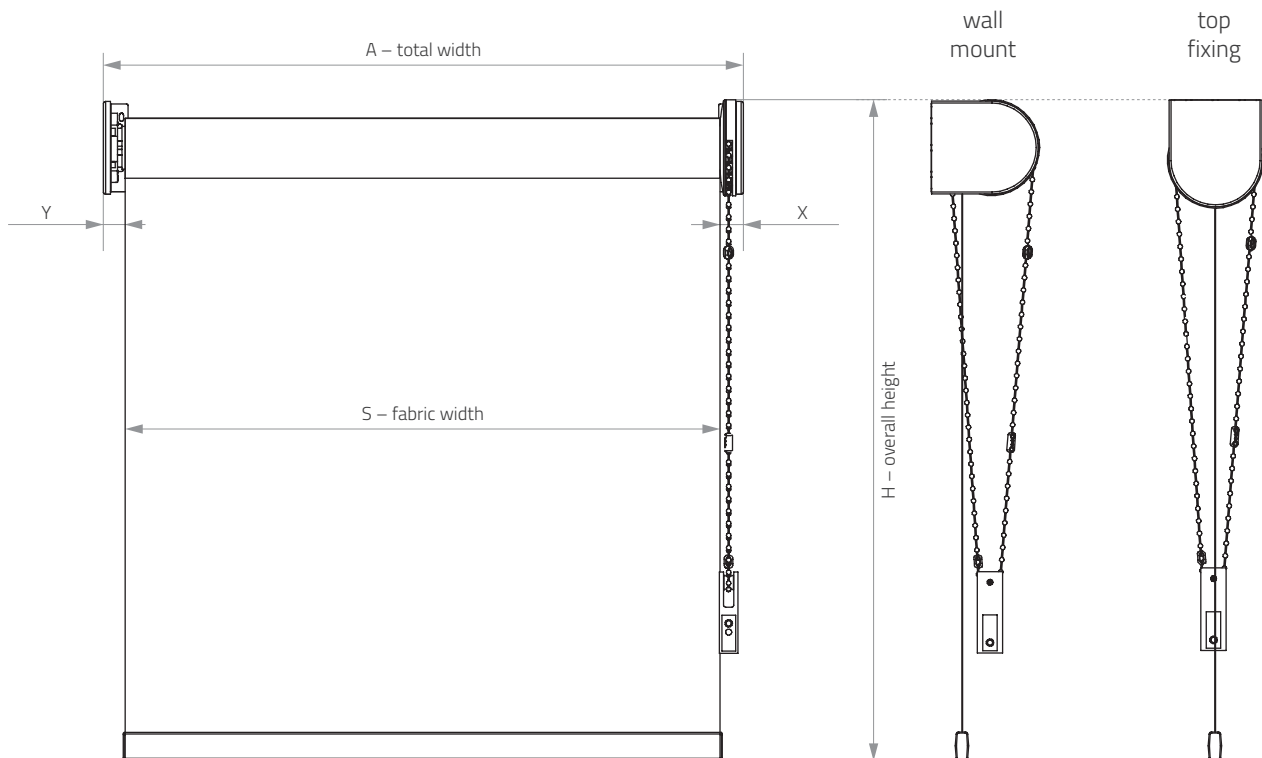
## RM 55 manual operation



## RM 55 motorised



# System RM 55 Roller Blind System – dimensions



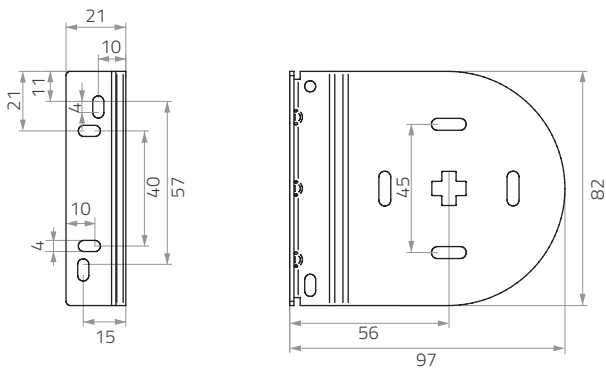
Depending on measurements taken, the client provides one width dimension only (A or S).

## The difference between overall width and fabric width

	RM 55 manual operation	RM 55 motorised
TOTAL	42 mm	48 mm
Control End X	22 mm	30 mm
Idle End Y	20 mm	18 mm

# System RM 55 Roller Blind System – fixing elements

## RM 55 metal bracket



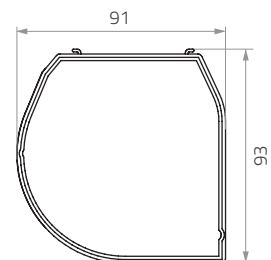
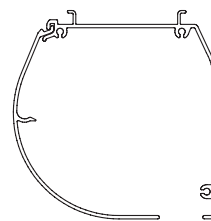
colours available: white

# System RM 55 Roller Blind System – cassette

Closed cassette RM 55

Cassette cross section

Cassette with side cover – cross section



Motorised  
blind

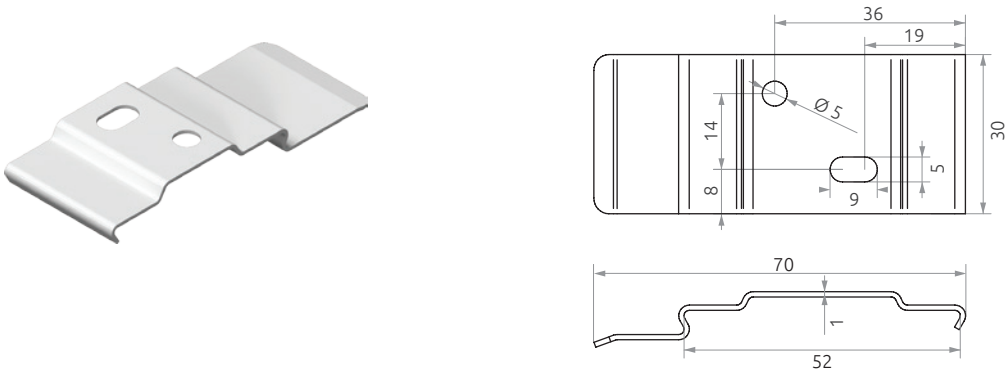
white, grey, black, any RAL colour

PRICE LIST  
SYMBOL

OS 5

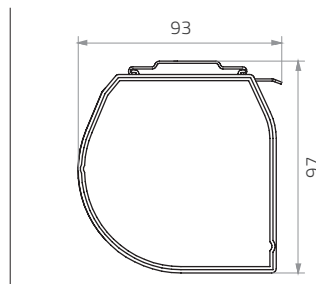
# System RM 55 Roller Blind System – fixing elements

## Clip bracket (top fixing)

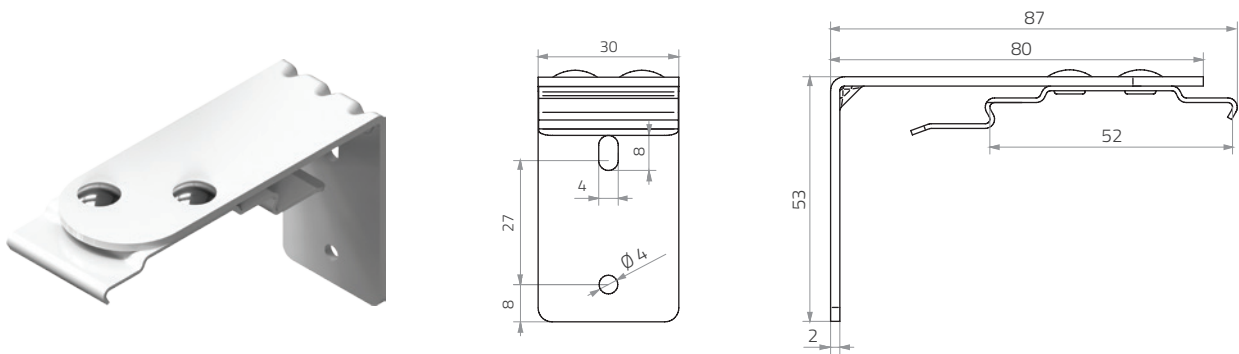


colours available: white, grey, black, any other RAL colour

RM 55 closed cassette

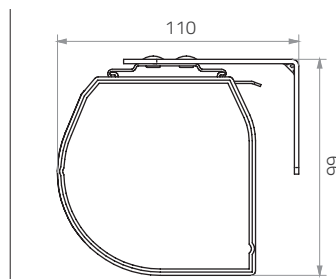


## Clip angle bracket – closed cassette (wall mounting)



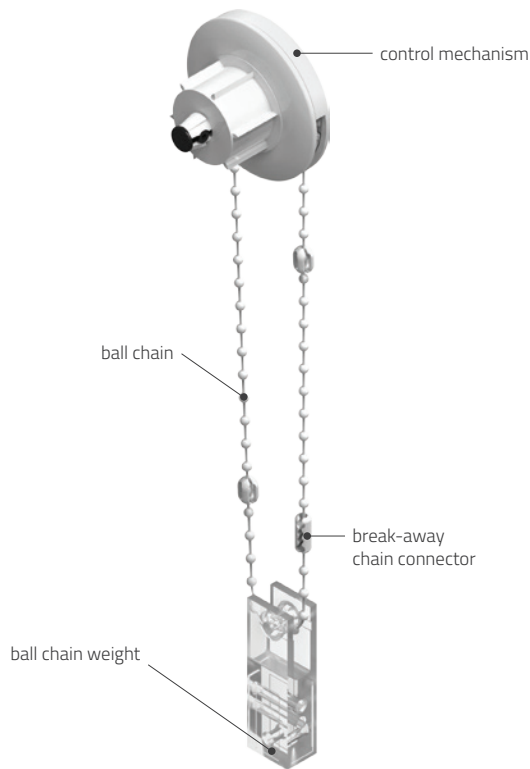
colours available: white, grey, black, any other RAL colour

RM 55 closed cassette



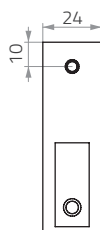
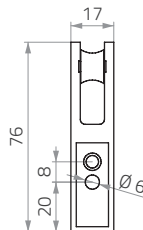
# RM 55 roller blind – operation

## Ball chain mechanism



## Safety cleat

used in metal ball chain



## Types of ball chain

### PVC ball chain



ball diameter: 4,5 mm



break-away chain connector (PVC ball chain element) is fully compliant with PN-EN 13120:2014+A1 safety standard

### metal ball chain (optional feature)



ball diameter: 4,5 mm



safety cleat (metal ball chain element) is fully compliant with PN-EN 13120:2014+A1 safety standard

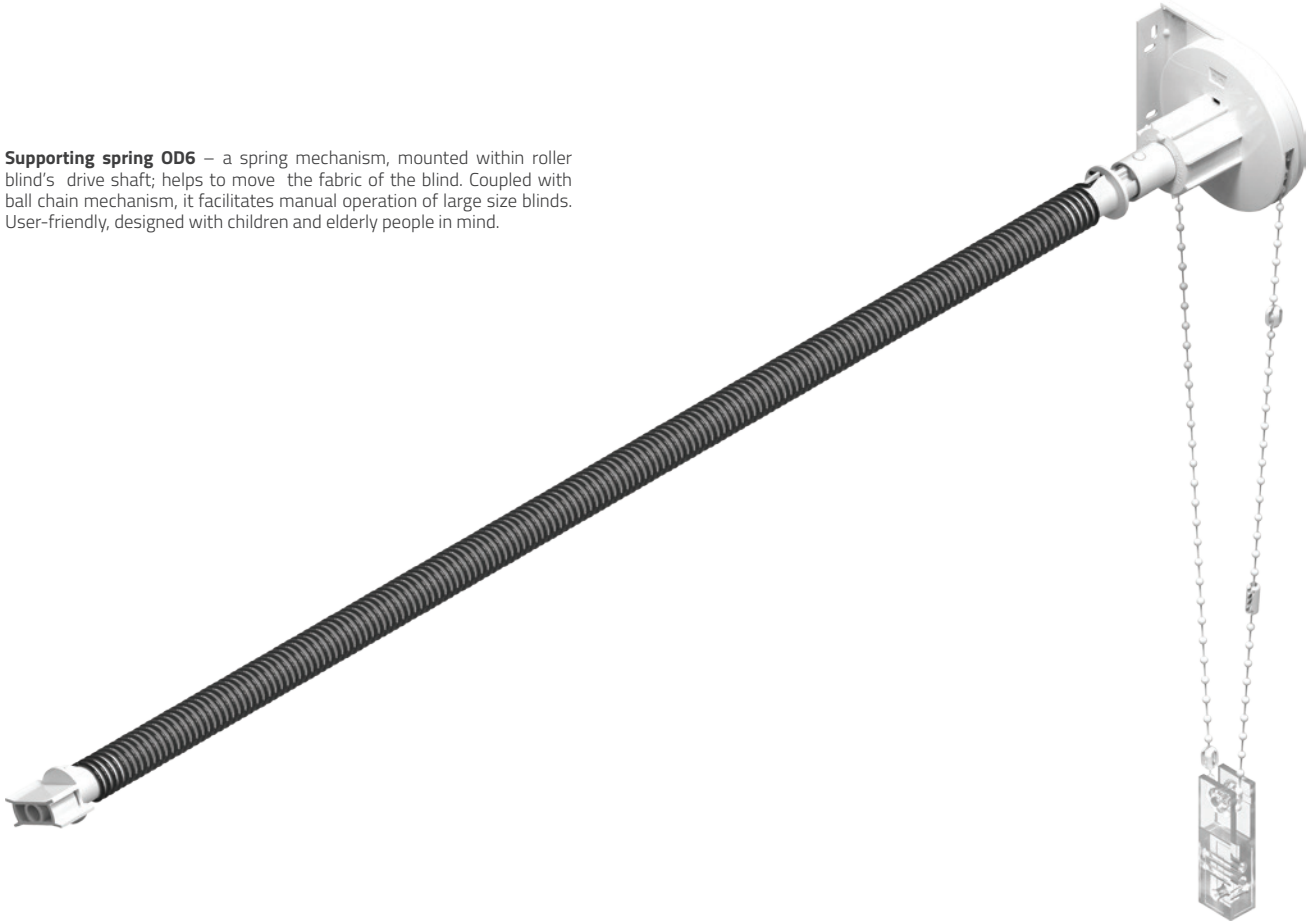
Please note: no ball chain weight with metal ball chain.



# Supporting spring RM 55 – operation

## Supporting spring RM 55 OD6

**Supporting spring OD6** – a spring mechanism, mounted within roller blind's drive shaft; helps to move the fabric of the blind. Coupled with ball chain mechanism, it facilitates manual operation of large size blinds. User-friendly, designed with children and elderly people in mind.



Control on the left hand side (view from the inside); supporting spring in blue.

Control on the right hand side (view from the inside); supporting spring in black.

RM 55		
	300 - 860 mm	861 - 3000 mm
1000 - 5000 mm	not applicable	✓

# RM 55 – motors and control

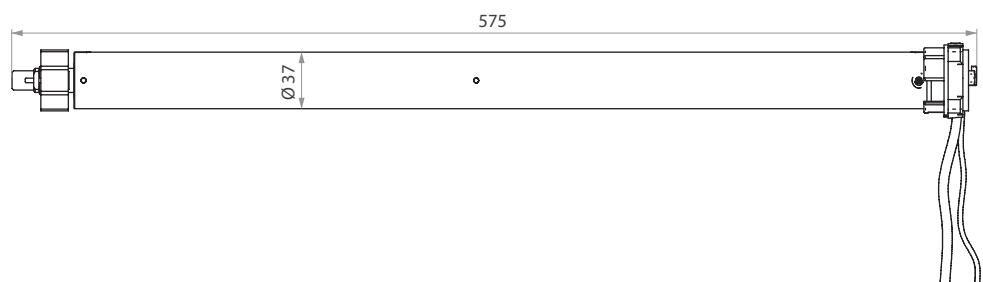
## N8 radio-controlled electric motor

Motor parameters	
torque	6 Nm
RPM	28 rpm
motor diameter	35 mm
voltage	230 V
power	144 W
amperage	0,63 A
IP class	IP 44
inbuilt receiver	✓
radio frequency	433 MHz



### N8 motor specification:

- end positions set electronically with a remote control
- inbuilt receiver (compatible with N9 15-channel dedicated remote control)
- compatible with 55 mm tube
- min. width of the roller blind – 650 mm



## N 9 – 15-channel remote control





## Connection scheme



length of cable: 2 m

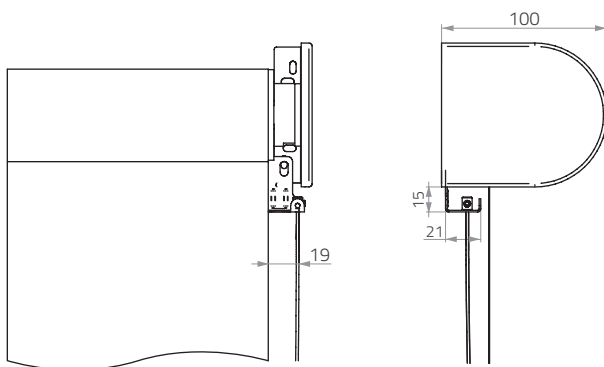
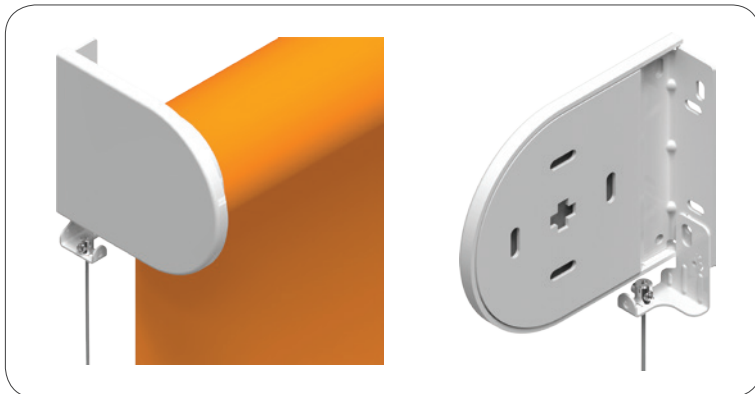
# RM 55 roller blind drives

## ELECTRIC DRIVES – 230V

Type of drive		Nominal torque (Nm)	Nominal RPM (obr./min.)	Nominal voltage (V)	Frequency (Hz)	Amperage (A)	Energy consumption (W)	IP protection class	Insulation class	Number of cores	Length of wire (m)	Total length (mm)	Length (mm)	Weight (kg)	Operation time (thermal protection) (min.)	Noise level (dB)	Operating temperature (°C)
e l e r o	somfy. <b>Sonesse 40 PA</b>	6	20	230	50	max 0,55	120	IP 44	II	3	2,5	508	494	1,25	5	< 45	0 do +60
	 <b>VariEco S 5/30</b>	5	30	230	50	max 0,73	168	IP 44	II	4	2	534	518	1,2	4	39	-20 do +60
	<b>RoITop S</b>	5	30	230	50	max 0,73	168	IP 44	II	4	2	534	518	1,2	4	36	-20 do +60
e l e r o	somfy. <b>Sonesse 40 RTS</b>	6	20	230	50	max 0,55	120	IP 44	II	2	3	549	535	1,25	5	< 45	0 do +60
	 <b>RoITop T 868</b>	5	30	230	50	max 0,73	168	IP 44	II	4	2	534	518	1,3	4	39	-20 do +60
	<b>RoITop S 868</b>	5	17	230	50	max 0,55	130	IP 44	II	4	2	534	518	1,2	5	36	-20 do +60

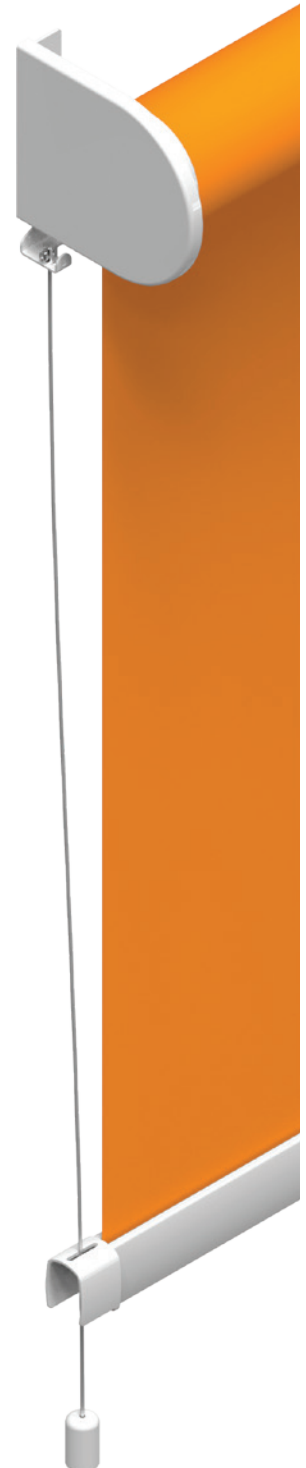
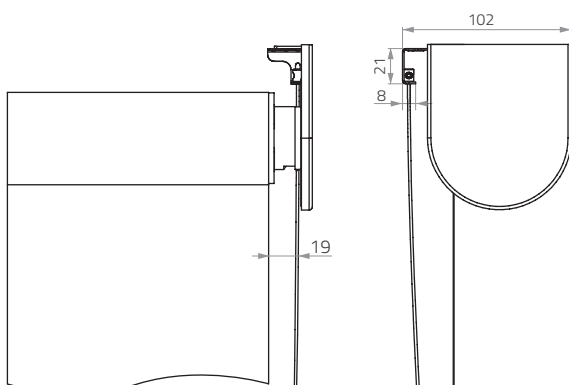
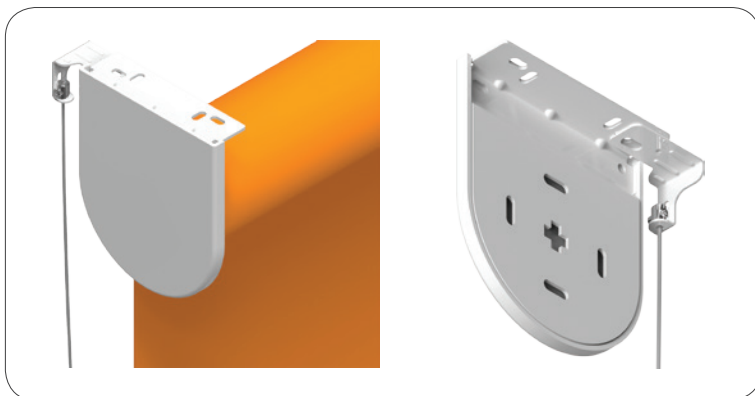
# RM 55 – guide wire

## Fixing guide wire – wall mounting



Guide wire available with RM 55 roller blind with metal bracket only.

## Fixing guide wire – top fixing

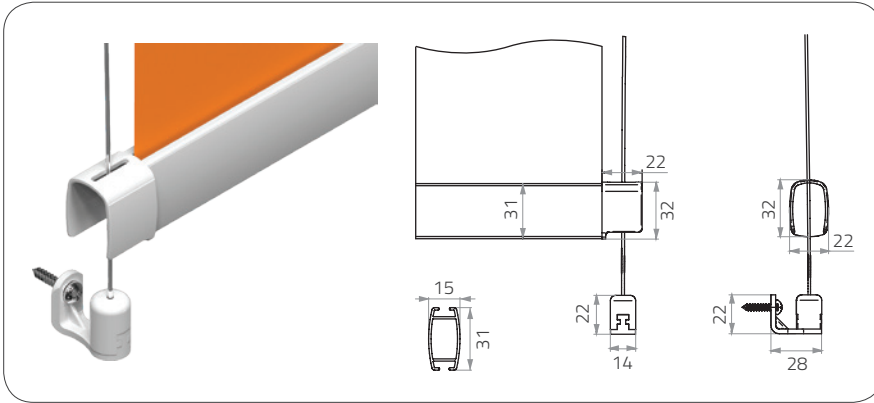


# RM 55 – guide wire

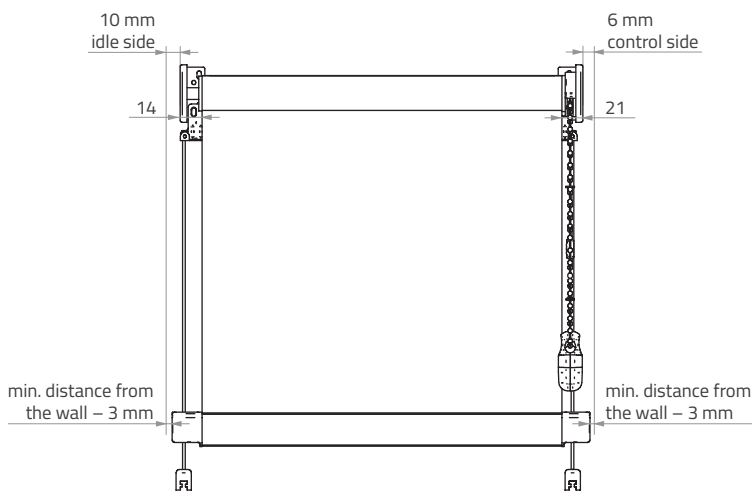
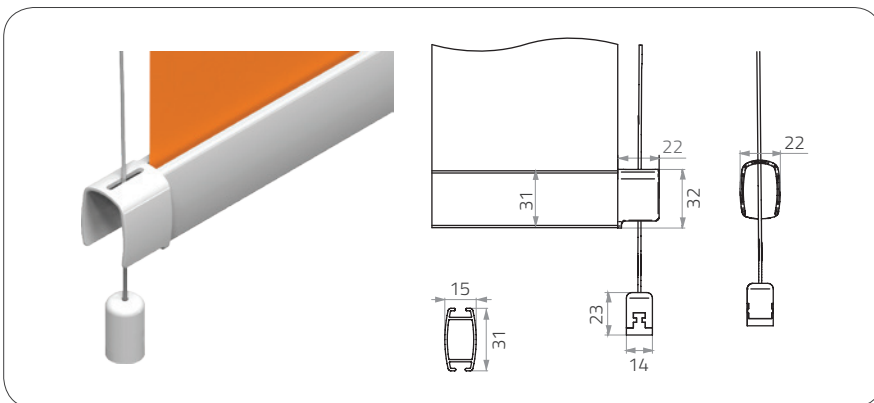
## Guide wire bracket (bracket A) - wall/window mounting



Steel wire available in 2 versions:  
- 1 mm – PVC coated steel wire  
- 1,2 mm – PVC coated stainless steel wire



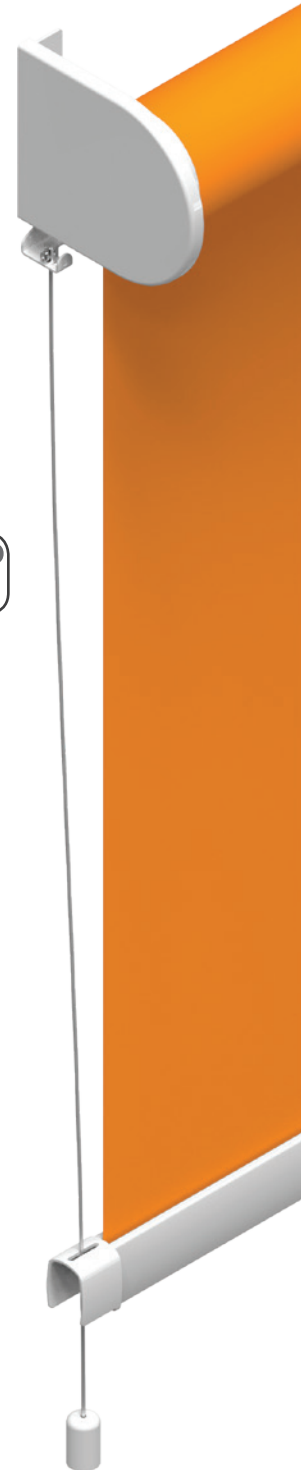
## Guide wire bracket (bracket B) - wall/window sill mounting



Please note: bottom bar is 10 mm wider than overall dimension



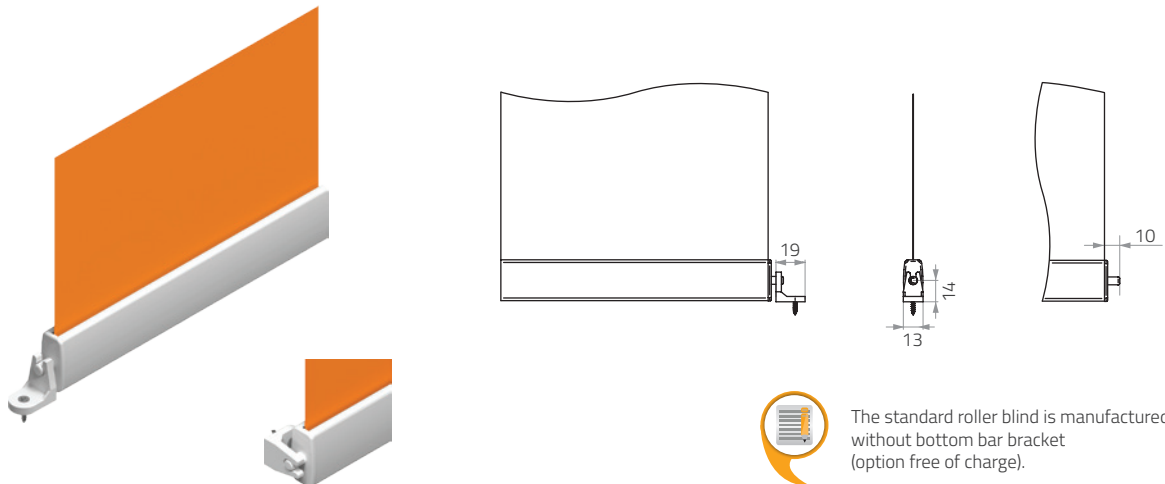
In cable guide, bottom weight dimensions are subject to change.



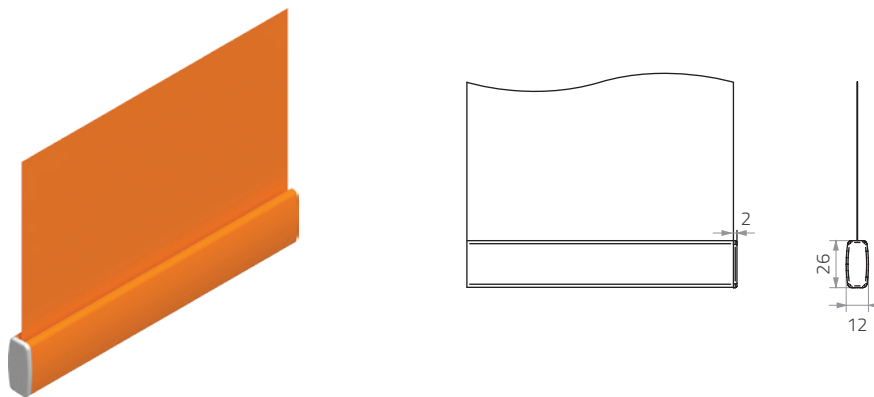




## Roller blind system – bottom bar bracket



## RM 32 roller blind system – fabric weights



	fabric wrapped bottom bar (on both sides)	fabric wrapped bottom bar (on one side)	aluminium bottom bar with fabric tucked inside
transparent fabrics	fabric thickness $\leq 0,55$ mm or / and blind width $< 3500$ mm		fabric thickness $> 0,55$ mm or / and blind width $> 3500$ mm
rubberised fabrics (colour-coordinated rubberised side)	blind width $\leq 3500$ mm		blind width $> 3500$ mm
rubberised fabrics (rubberised side in white)		blind width $\leq 3500$ mm	blind width $> 3500$ mm
technical fabrics		blind width $\leq 3500$ mm	blind width $> 3500$ mm

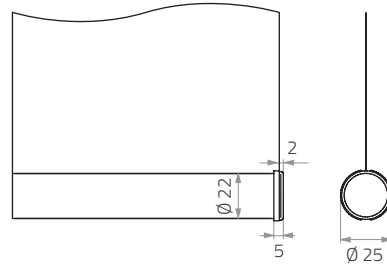


# Roller blind system – bottom weights



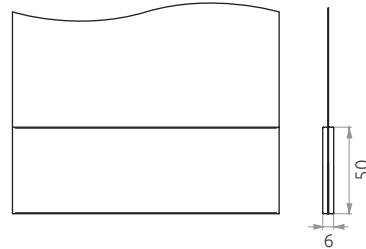
Please note: W4, W5, W6 bottom weights are not available for RM 32 – PVC handle

W4 – round bottom bar



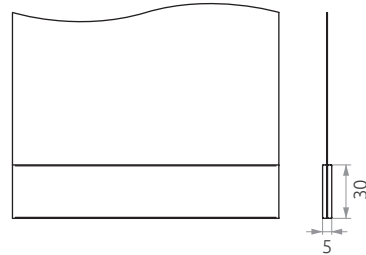
material: aluminium

W5 – wooden bottom bar



material: wood

W6 – flat bottom bar

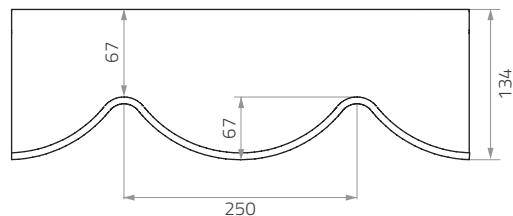


material: aluminium

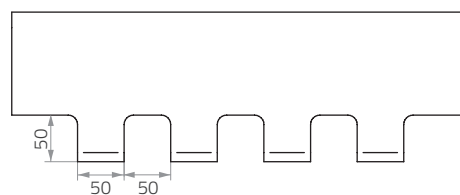
	COLOUR	aluminium round bottom bar	50 mm wooden bottom bar	30 mm aluminium bottom bar
WOOD	white	✓		
	grey	✓		
	anode			✓
	colonial		✓	
	modern		✓	
	unique		not available	

# Roller blind system – flounces

Type A flounce – W1

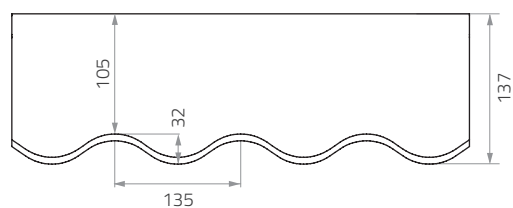


Type D flounce – W2



when choosing type D flounce please indicate the colour of the bar (light oak, cherry, walnut, golden metallic, golden matt, silver metallic, silver matt)

Type H flounce - W3





# System specifications

- - white
- - cream
- - brown
- - grey
- - anthracite
- - black
- - golden oak
- - walnut







Ⓢ - silver anode

		SMALL (18, 32 tube)				
		RM 18 <del>economi</del>	RM 32 PVC BRACKET <del>economi</del>	RM 32 METAL BRACKET	RM 32 MOUNTING PROFILE	RM 32 CASSETTE
CONTROL	BALL CHAIN MECHANISM	○ ○ ● ○ ● ● ● ●	○	○ ○ ● ○ ● ●	○ ○ ● ○ ● ● Ⓢ RAL	○ ○ ● ○ ● ● Ⓢ RAL
	SPRING MECHANISM			○	○	○
	BATTERY -POWERED DRIVE*			○ ○ ● ○ ● ●	○ ○ ● ○ ● ● Ⓢ RAL	○ ○ ● ○ ● ● Ⓢ RAL
	MOTORISED BLIND			○ ○ ● ○ ● ●	○ ○ ● ○ ● ● Ⓢ RAL	○ ○ ● ○ ● ● Ⓢ RAL
SIDE GUIDE	GUIDE WIRE	✓		✓		
	SIDE GUIDE					○ ○ ● ○ ● ● Ⓢ RAL
OPTIONAL FEATURES	EXTENSION BRACKET (no cover)			○		
FLOUNCES AND WEIGHTS	TYPE A FLOUNCE	✓	✓	✓	✓	✓
	TYPE D FLOUNCE	✓	✓	✓	✓	✓
	TYPE H FLOUNCE	✓	✓	✓	✓	✓
	ALUMINIUM, ROUND BOTTOM BAR			○ ○	○ ○	○ ○
	50 MM WOODEN BOTTOM BAR			NATURAL / MODERN	NATURAL / MODERN	NATURAL / MODERN
	30 MM ALUMINIUM BOTTOM BAR			○	○	○

# System specifications

- - white
- - cream
- - brown
- - grey
- - anthracite
- - black
- - golden oak
- - walnut

Ⓢ - silver anode

		MEDIUM (40 tube)						
		RM 40 METAL BRACKET	RM 40+ METAL BRACKET	RM 40 MOUNTING PROFILE	RM 40, RM 40+ CASSETTE	RM 40, RM 40+ SQUARE COVER	RM 40, RM 40+ OVAL COVER	
CONTROL	BALL CHAIN MECHANISM	○ ● ○ ●	○ ●	○ ● ○ ● RAL	○ ● Ⓢ RAL	○ ● RAL	○ ● RAL	
	SPRING MECHANISM			○	○			
	BATTERY -POWERED DRIVE*	○ ● ○ ●		○	○ ● Ⓢ RAL			
	MOTORISED BLIND	○ ● ○ ●		○	○ ● Ⓢ RAL	○ ● RAL	○ ● RAL	
SIDE GUIDE	GUIDE WIRE	✓	✓					
	SIDE GUIDE							
OPTIONAL FEATURES	EXTENSION BRACKET (no cover)	○	○					
	MULTI LINK	○ ● ○ ●						
	DUO LINK	○ ● ○ ●						
	DOUBLE BRACKET	○ ● ○ ●						
	DECORATIVE METAL BRACKET		○					
FLOUNCES AND WEIGHTS	TYPE A FLOUNCE 	✓	✓	✓	✓	✓	✓	
	TYPE D FLOUNCE 	✓	✓	✓	✓	✓	✓	
	TYPE H FLOUNCE 	✓	✓	✓	✓	✓	✓	
	ALUMINIUM, ROUND BOTTOM BAR 	○	○	○	○	○	○	○
	50 MM WOODEN BOTTOM BAR 		NATURAL / MODERN	NATURAL / MODERN	NATURAL / MODERN	NATURAL / MODERN	NATURAL / MODERN	NATURAL / MODERN
	30 MM ALUMINIUM BOTTOM BAR 		○	○	○	○	○	○

# System specifications

- - white
- - cream
- - brown
- - grey
- - anthracite
- - black
- - golden oak
- - walnut

Ⓢ - silver anode

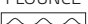




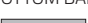
		LARGE (45,45 HD, 55 tube)					
		RM 45 METAL BRACKET	RM 45+ METAL BRACKET	RM 45 MOUNTING PROFILE	RM 45, RM 45+ CASSETTE	RM 45, RM 45+ SQUARE COVER	RM 45, RM 45+ OVAL COVER
CONTROL	BALL CHAIN MECHANISM	○ ○ ●	○ ●	○	○ ● Ⓢ RAL	○ RAL	○ RAL
	SPRING MECHANISM						
	BATTERY -POWERED DRIVE*						
	MOTORISED BLIND	○ ○		○	○ ● Ⓢ RAL	○ RAL	○ RAL
SIDE GUIDE	GUIDE WIRE	✓	✓				
	SIDE GUIDE						
OPTIONAL FEATURES	EXTENSION BRACKET (no cover)	○					
	MULTI LINK	○ ● ○	○ ●				
	DUO LINK	○ ● ○	○ ●				
	DOUBLE BRACKET	○ ●					
FLOUNCES AND WEIGHTS	TYPE A FLOUNCE	✓	✓	✓	✓	✓	✓
	TYPE D FLOUNCE	✓	✓	✓	✓	✓	✓
	TYPE H FLOUNCE	✓	✓	✓	✓	✓	✓
	ALUMINIUM, ROUND BOTTOM BAR	○ ○	○ ○	○ ○	○ ○	○ ○	○ ○
	50 MM WOODEN BOTTOM BAR	NATURAL / MODERN	NATURAL / MODERN	NATURAL / MODERN	NATURAL / MODERN	NATURAL / MODERN	NATURAL / MODERN
	30 MM ALUMINIUM BOTTOM BAR		○		○		○

# System specifications

- - white
- - anthracite
- - cream
- - black
- - brown
- - golden oak
- - grey
- - walnut

Ⓢ - silver anode

## LARGE (55 tube)

		RM 55	RM 55 CASSETTE
CONTROL	BALL CHAIN MECHANISM	○	○ ○ ● ● RAL
	SPRING MECHANISM		
	BATTERY -POWERED DRIVE*		
	MOTORISED BLIND	○	○ ○ ● ● RAL
SIDE GUIDE	GUIDE WIRE	✓	
	SIDE GUIDE		
OPTIONAL FEATURES	EXTENSION BRACKET (no cover)		
	MULTI LINK		
	DUO LINK		
	DOUBLE BRACKET		
FLOUNCES AND WEIGHTS	TYPE A FLOUNCE 		
	TYPE D FLOUNCE 		
	TYPE H FLOUNCE 		
	ALUMINIUM, ROUND BOTTOM BAR 		
	50 MM WOODEN BOTTOM BAR 		
	30 MM ALUMINIUM BOTTOM BAR 		

---

## More information

---

### Key to symbols:



Information for customers placing an order



Information for persons installing the product



Mounting with screws etc.



Mounting without screws.



Info on PN-EN 13120:2014+A1 (Child Safety) standard



Wire control



Radio control



SONNENSCHUTZSYSTEME NACH MASS  
**JALOUSIE - WELT .DE**  
JALOUSIEN, PLISSEE, FENSTER, ROLLADEN, MARKISEN

Neugrabener Bahnhofstraße 18 - 21149 Hamburg  
Tel.Nr.: +49 40 79686793 - Fax: +49 40 79686794  
Email: [info@jalousie-welt.de](mailto:info@jalousie-welt.de) - [www.jalousie-welt.de](http://www.jalousie-welt.de)